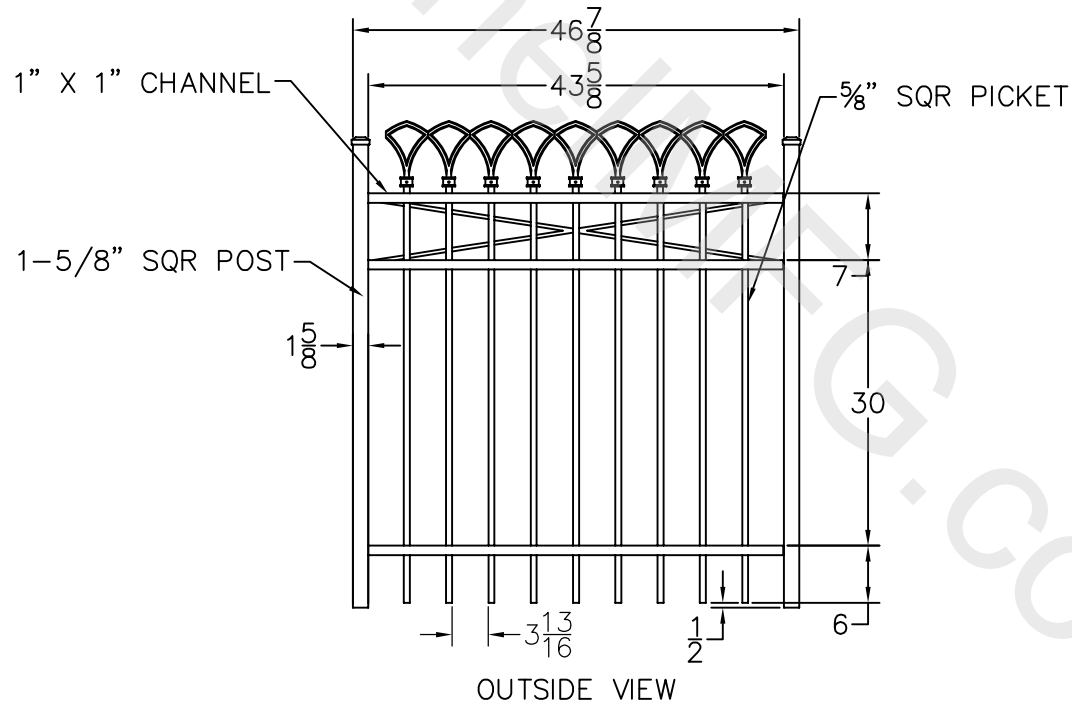


REVISIONS				
ZONE	REV	DESCRIPTION	DATE	APPROVED
-	NC	INITIAL RELEASE		
-	01	CREATE FROM 48X48 APPALACHIAN GATE	03-12-12	



OUTSIDE VIEW

NOTES:

1. ALL DIMENSIONS IN INCHES.
2. INSTALL POSTS PER STANDARD CONSTRUCTION PRACTICES

SENTINEL MFG.  
 1527 NC HWY 711  
 LUMBERTON, NC 28360  
 (910) 735-1351

DRAWING:  
 CATHEDRAL GATE-  
 48"HT X 48" WD

SIZE D	DWG NO. APFP-48HX48W	REV NC
SCALE	DATE 06-06-05	SHEET 1 OF 1

© 2004. This drawing may not be altered or reproduced without the permission of SENTINEL MFG.