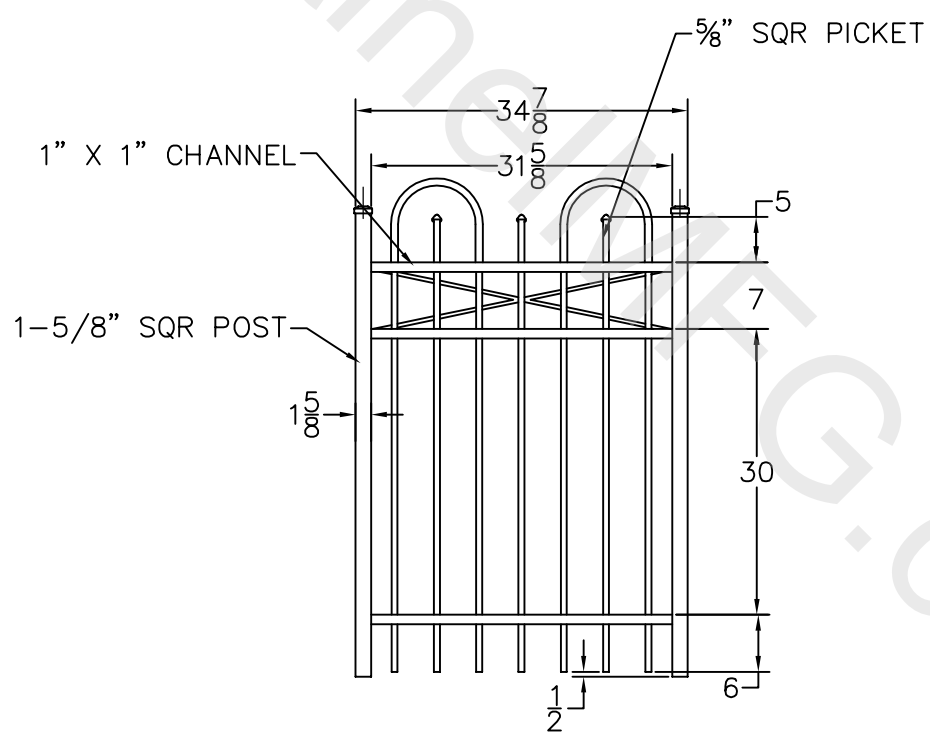


ZONE	REV	DESCRIPTION	DATE	APPROVED
-	NC	INITIAL RELEASE		
-	01	REVISE CO. NAME, REMOVE INSIDE VIEW,	01/19/12	



OUTSIDE VIEW

- NOTES:
1. ALL DIMENSIONS IN INCHES.
 2. INSTALL POSTS PER STANDARD CONSTRUCTION PRACTICES

SENTINEL MFG.
 1527 NC HWY 711
 LUMBERTON, NC 28360
 (910) 735-1351

DRAWING:
 ELEGANT ARCH GATE-
 48"HT X 36" WD

SIZE D	DWG NO. EA-48HX36W	REV NC
SCALE	DATE 12-02-09	SHEET 1 OF 1

© 2009. This drawing may not be altered or reproduced without the permission of SENTINEL MFG.