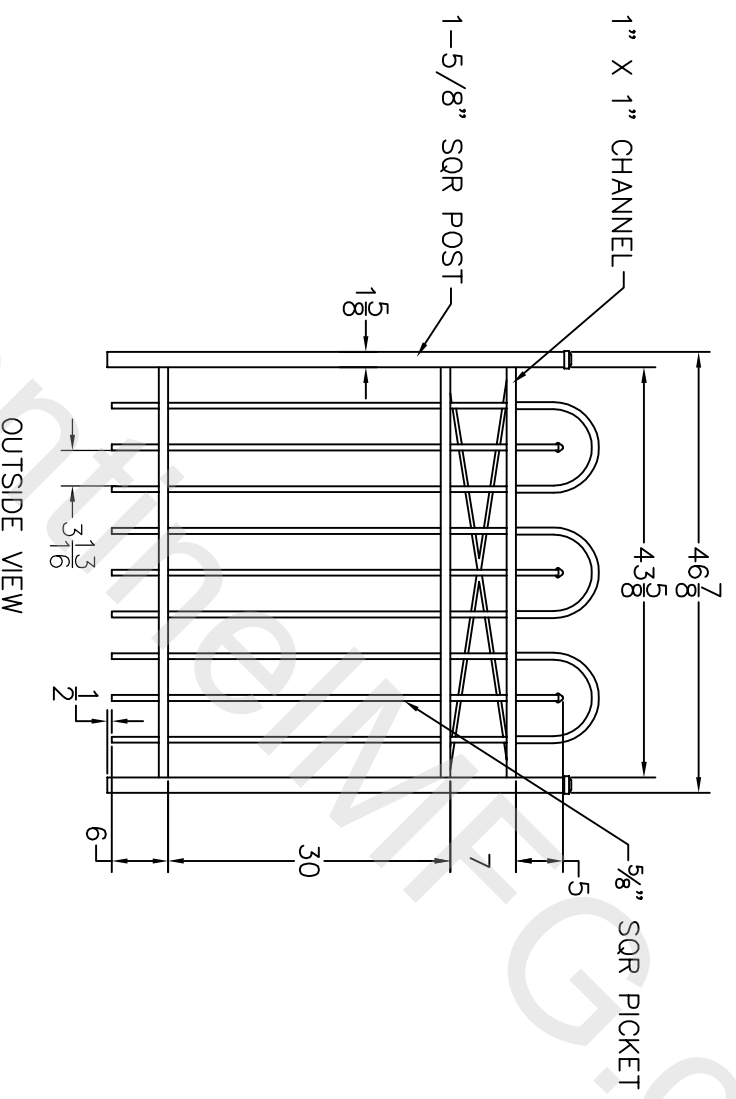


REV	DESCRIPTION	DATE	APPROVED
01	INITIAL RELEASE	07/19/12	
01	REVISE CO. NAME, REMOVE INSIDE VIEW.		



OUTSIDE VIEW

NOTES:

1. ALL DIMENSIONS IN INCHES.
2. INSTALL POSTS PER STANDARD CONSTRUCTION PRACTICES

SENTINEL MFG.
 1527 NC HWY 711
 LUMBERTON, NC 28360
 (910) 735-1351

DRAWING:
 ELEGANT ARCH GATE--
 48" HT X 48" WD

SIZE	DWG NO.	DATE	SHEET	REV
D	EA-48HX48W	12-02-09	1 OF 1	NC
SCALE				

© 2009. This drawing may not be altered or reproduced without the permission of SENTINEL MFG.