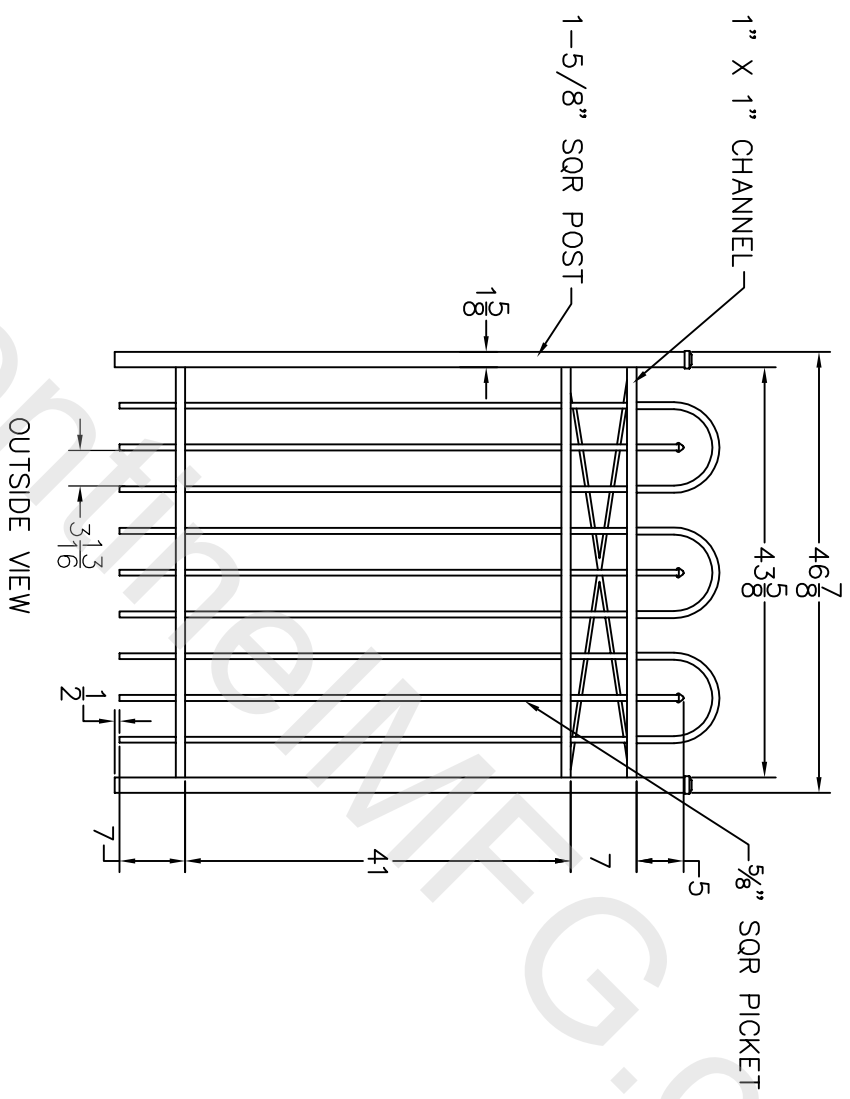


ZONE	REV	DESCRIPTION	DATE	APPROVED
-	NC	INITIAL RELEASE		
-	01	CREATE FROM ELEGANT ARCH 48X48 GATE	03/13/12	



OUTSIDE VIEW

NOTES:

1. ALL DIMENSIONS IN INCHES.
2. INSTALL POSTS PER STANDARD CONSTRUCTION PRACTICES

SENTINEL MFG.
 1527 NC HWY 711
 LUMBERTON, NC 28360
 (910) 735-1351

DRAWING:
 ELEGANT ARCH GATE--
 60"HT X 48" WD

SIZE	DWG NO.	REV
D	EA-60HX48W	NC
SCALE	DATE	SHEET
	12-02-09	1 OF 1

© 2009. This drawing may not be altered or reproduced without the permission of SENTINEL MFG.