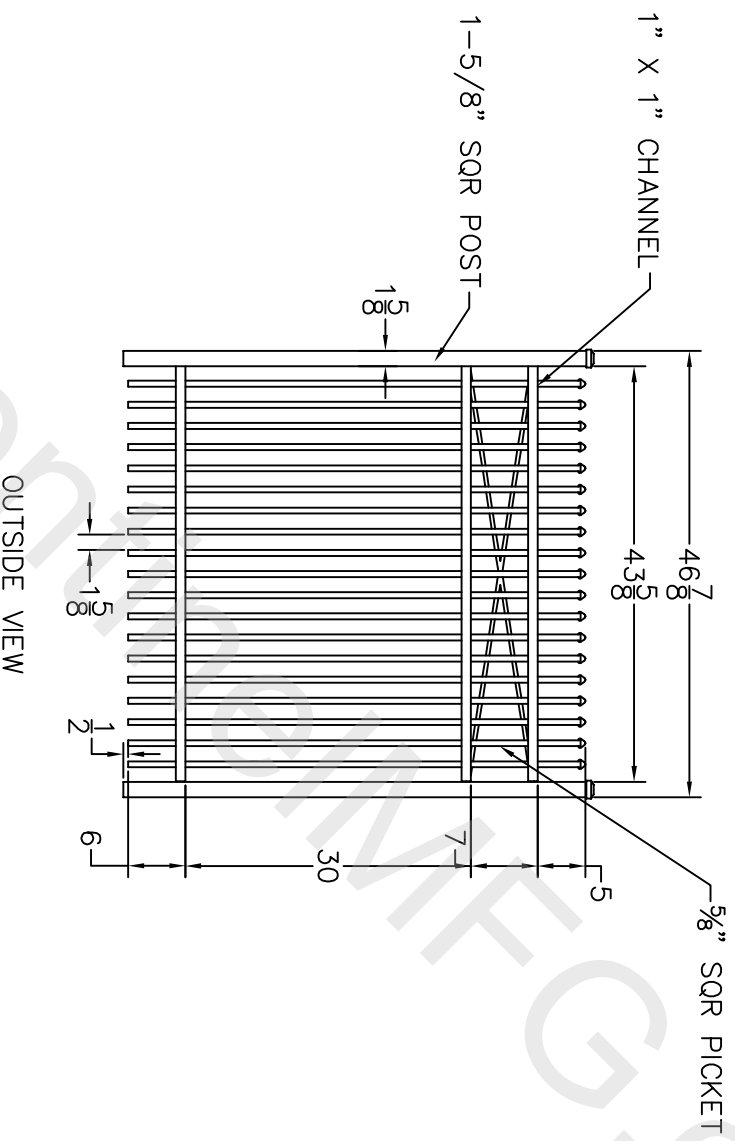


DATE	REV	DESCRIPTION	DATE	APPROVED
	01	INITIAL RELEASE	07/28/12	
	01	REVISE CO. NAME, REMOVE INSIDE VIEW	03/20/12	
	02	CREATE SEPARATE SERIES		



- NOTES:
1. ALL DIMENSIONS IN INCHES.
 2. INSTALL POSTS PER STANDARD CONSTRUCTION PRACTICES

© 2004. This drawing may not be altered or reproduced without the permission of SENTINEL MFG.

<p>SENTINEL MFG. 1527 NC HWY 711 LUMBERTON, NC 28360 (910) 735-1351</p>			
<p>DRAWING: EXTRA PICKET - GATE 48"HT X 48" WD APPALACHIAN</p>			
SIZE	DWG NO	DATE	REV
D	XP-48HX48W-AP	06-06-05	NC
SCALE			SHEET 1 OF 1