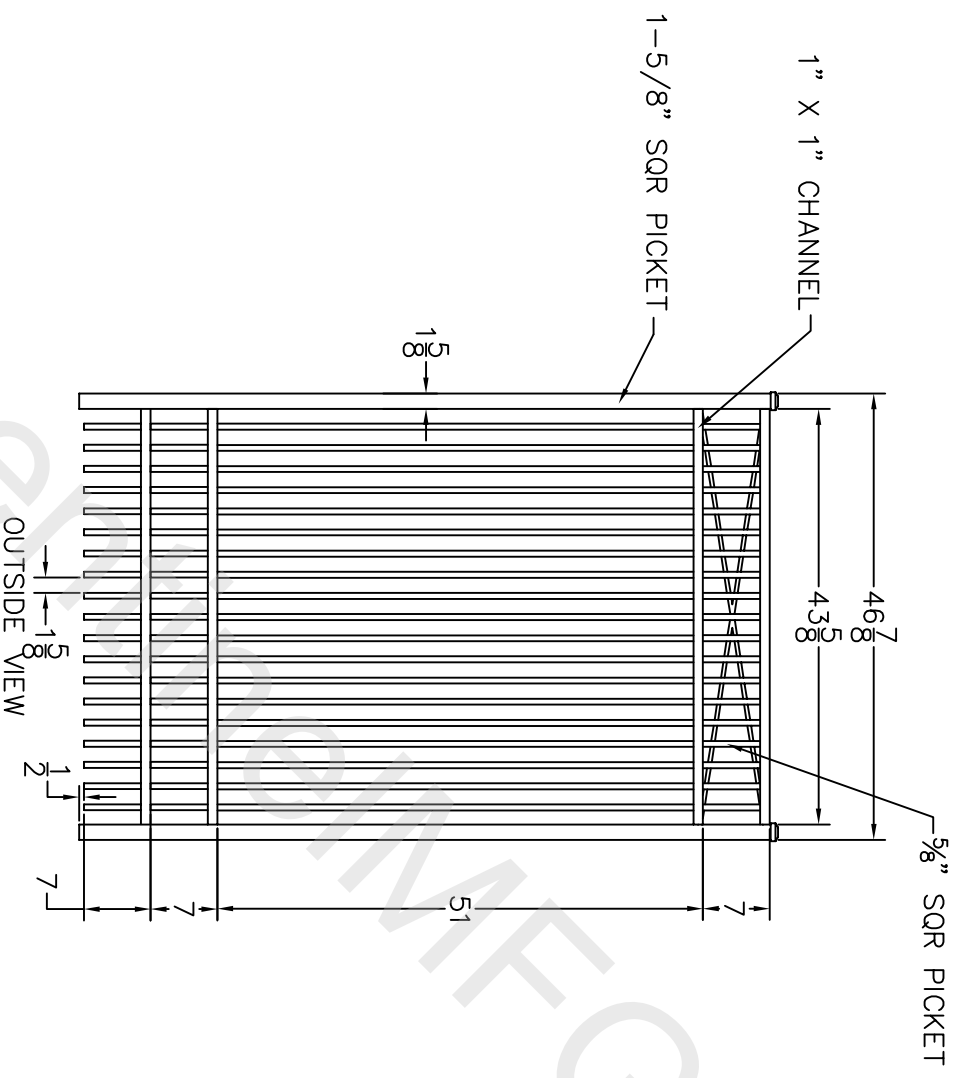


DATE	REV	DESCRIPTION	DATE	APPROVED
-	01	INITIAL RELEASE	03-08-12	
-	01	REVISE FROM 48X48 2P GATE	03-20-12	
-	02	CREATE SEPARATE SERIES		



OUTSIDE VIEW

- NOTES:
1. ALL DIMENSIONS IN INCHES.
 2. INSTALL POSTS PER STANDARD CONSTRUCTION PRACTICES

© 2004. This drawing may not be altered or reproduced without the permission of SENTINEL MFG.

SENTINEL MFG.
 1527 NC HWY 711
 LUMBERTON, NC 28360
 (910) 735-1351

DRAWING:
 EXTRA PICKET - GATE
 72"HT X 48" WD
 SIERRA

SIZE	DWG NO	DATE	SHEET	REV
D	XP-72HX48W-SI	06-06-05	1 OF 1	NC