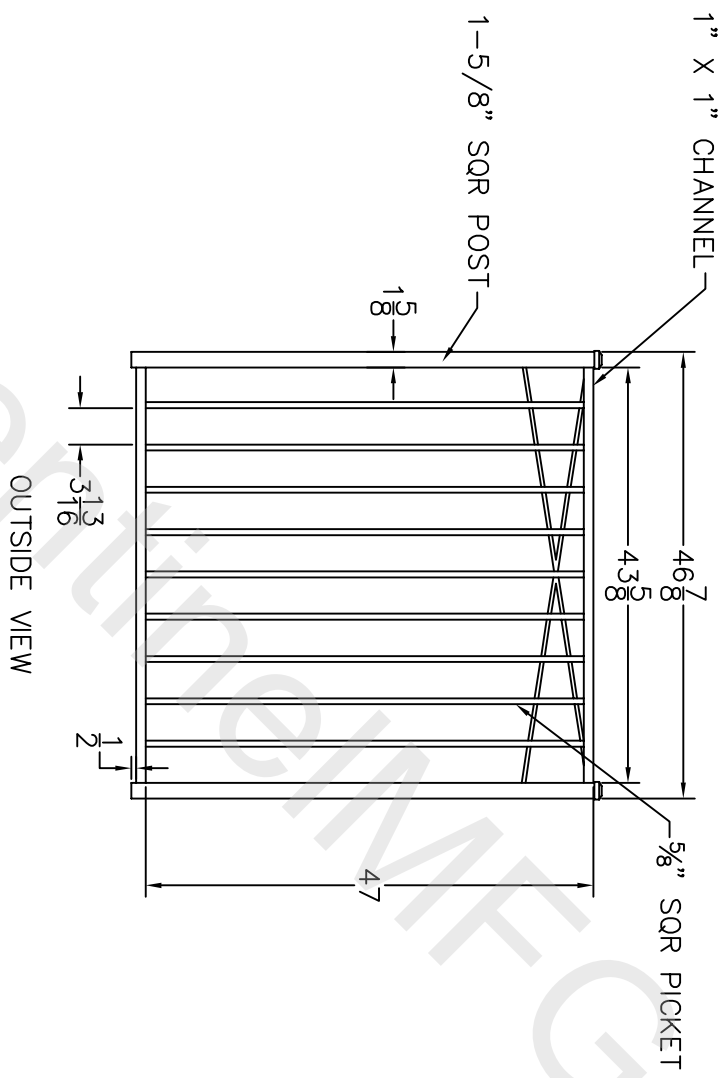


DATE	REV	DESCRIPTION	DATE	APPROVED
02/23/12	01	INITIAL RELEASE		
	02	REVISE CO. NAME, REMOVE INSIDE VIEW		



OUTSIDE VIEW

- NOTES:
1. ALL DIMENSIONS IN INCHES.
 2. INSTALL POSTS PER STANDARD CONSTRUCTION PRACTICES

SENTINEL MFG.
 1527 NC HWY 711
 LUMBERTON, NC 28360
 (910) 735-1351

DRAWING:
 FLORIDIAN GATE--
 48"HT X 48" WD

SIZE	DWG NO.	REV
D	FL-48HX48W	NC
SCALE	DATE	SHEET
	06-06-05	1 OF 1

© 2004. This drawing may not be altered or reproduced without the permission of SENTINEL MFG.