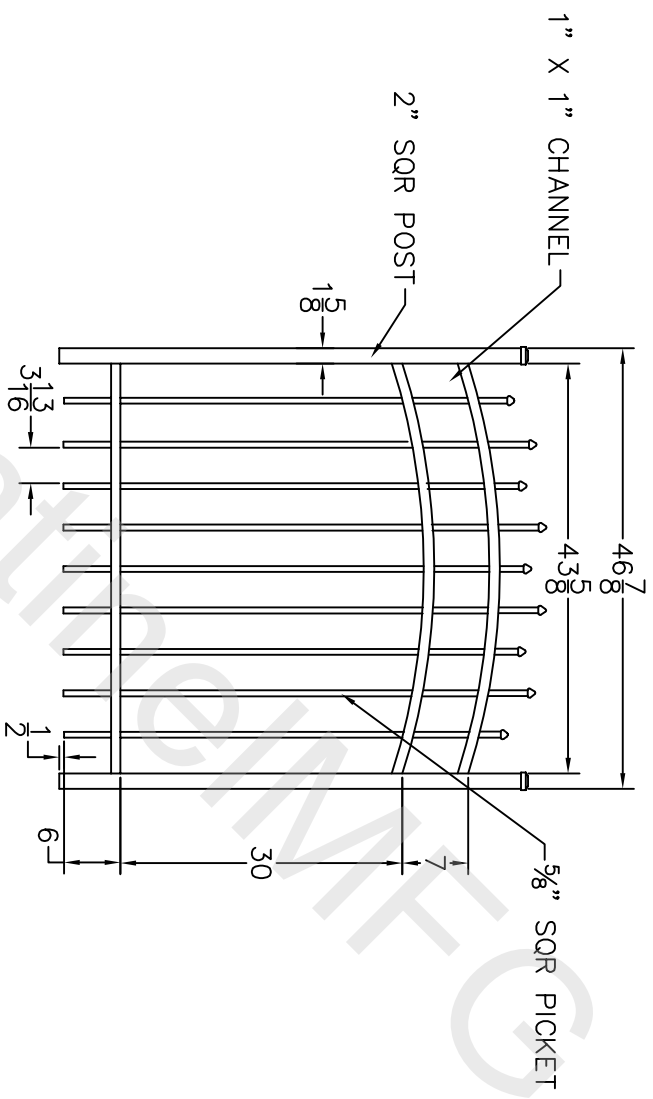


| | | | |
|----------|-----------------|------|----------|
| DATE | REVISION | DATE | APPROVED |
| 03/07/13 | | | |
| REV | DESCRIPTION | | |
| 01 | INITIAL RELEASE | | |
| | REVISE CO. NAME | | |
| NC | | | |



OUTSIDE VIEW

NOTES:

1. ALL DIMENSIONS IN INCHES.
2. INSTALL POSTS PER STANDARD CONSTRUCTION PRACTICES

SENTINEL MFG.
 1527 NC HWY 711
 LUMBERTON, NC 28360
 (910) 735-1351

DRAWING:
 MANHATTAN ARCHED GATE-
 48"HT X 48" WD

| | | | | |
|-------|---------------|----------|--------|-----|
| SIZE | DWG NO. | DATE | SHEET | REV |
| D | MA-48HX48W-AR | 06-06-05 | 1 OF 1 | NC |
| SCALE | | | | |

© 2004. This drawing may not be altered or reproduced without the permission of SENTINEL MFG.