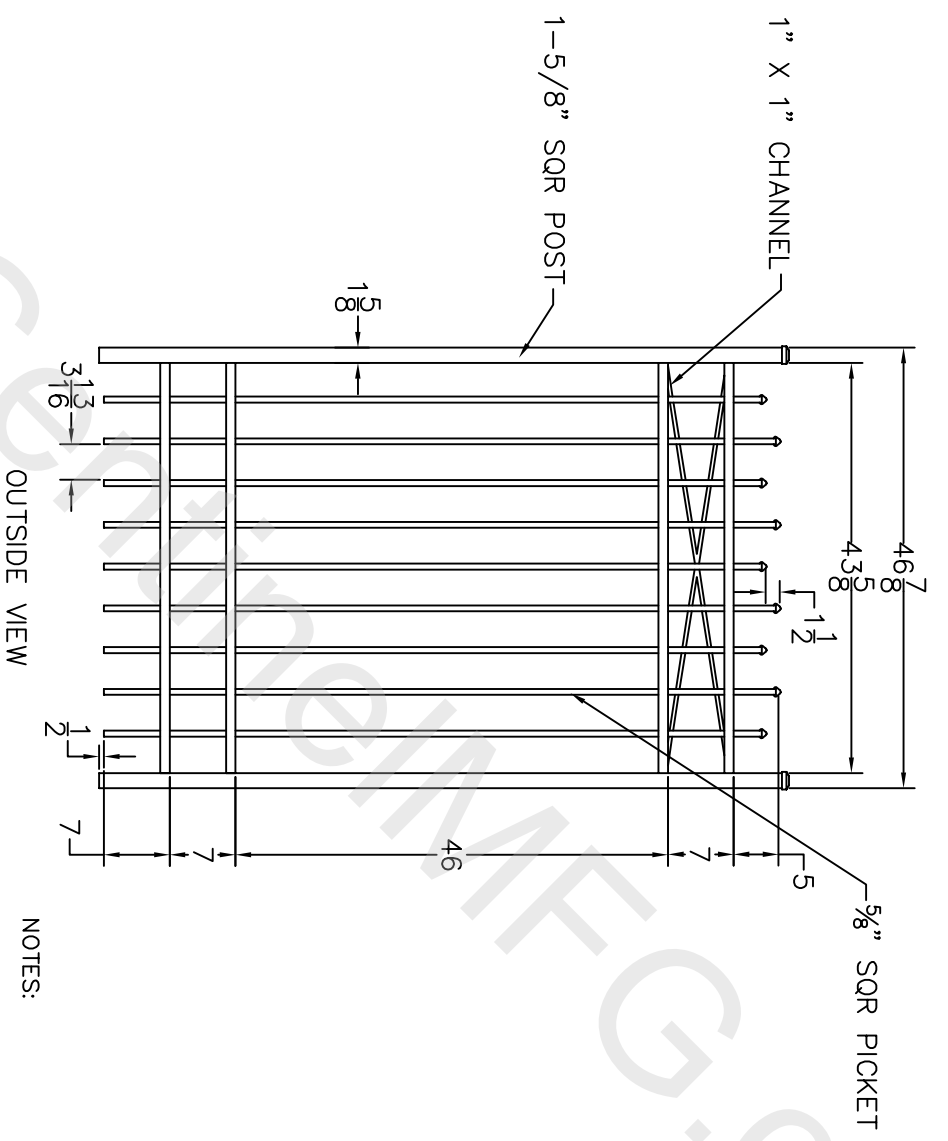


REV	DESCRIPTION	DATE	APPROVED
01	INITIAL RELEASE	03/07/12	
01	REVISE CO. NAME, REMOVE INSIDE VIEW		



OUTSIDE VIEW

NOTES:

1. ALL DIMENSIONS IN INCHES.
2. INSTALL POSTS PER STANDARD CONSTRUCTION PRACTICES

SENTINEL MFG.
 1527 NC HWY 711
 LUMBERTON, NC 28360
 (910) 735-1351

DRAWING:
 MANHATTAN GATE-
 72"HT X 48" WD

SIZE	DWG NO.	DATE	SHEET	REV
D	MA-72HX48W	06-06-05	1 OF 1	NC
SCALE				

© 2004. This drawing may not be altered or reproduced without the permission of SENTINEL MFG.