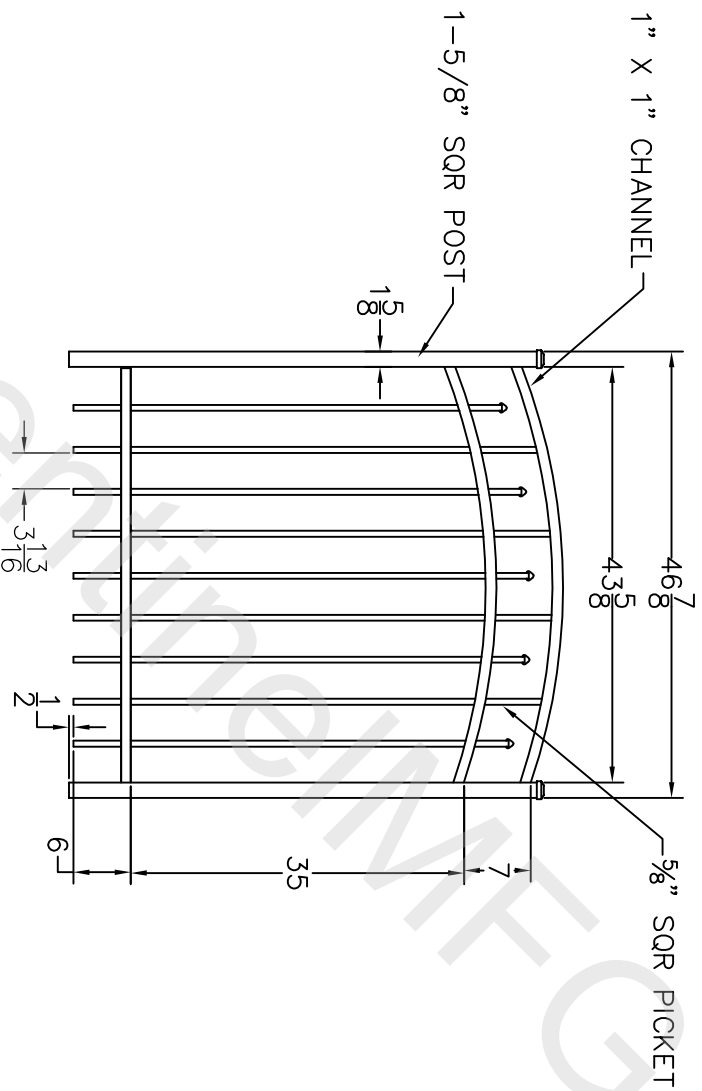


DATE	REV	DESCRIPTION	DATE	APPROVED
-	NC	INITIAL RELEASE		
-	OT	REVISE 36X48 ARCHED GATE	02/02/12	



OUTSIDE VIEW

NOTES:

1. ALL DIMENSIONS IN INCHES.
2. INSTALL POSTS PER STANDARD CONSTRUCTION PRACTICES

SENTINEL MFG.  
 1527 NC HWY 711  
 LUMBERTON, NC 28360  
 (910) 735-1351

DRAWING:  
 OUTBACK ARCHED GATE-  
 48"HT X 48" WD

SIZE	DWG NO.	DATE	SHEET	REV
D	OU-48HX48W-AR	02-02-12	1 OF 1	NC

© 2005. This drawing may not be altered or reproduced without the permission of SENTINEL MFG.