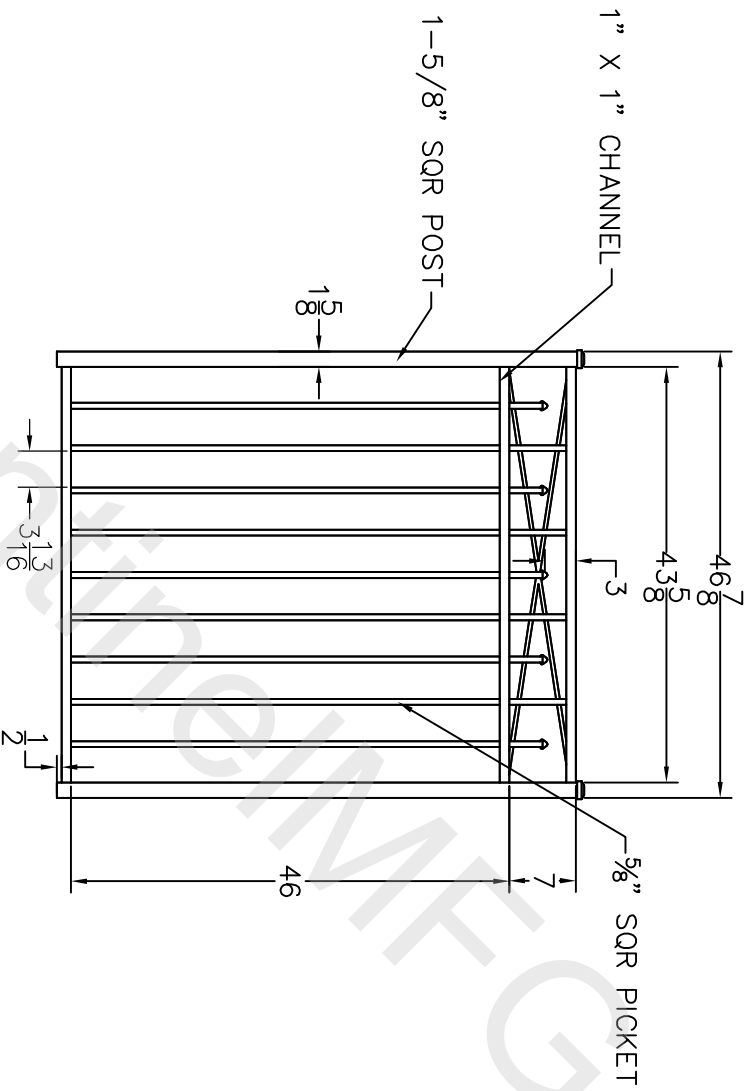


DATE	REV	DESCRIPTION	DATE	APPROVED
-	NC	INITIAL RELEASE		
-	OT	REVISE CO. NAME, REMOVE INSIDE VIEW.	07/24/12	



OUTSIDE VIEW

- NOTES:
1. ALL DIMENSIONS IN INCHES.
 2. INSTALL POSTS PER STANDARD CONSTRUCTION PRACTICES

SENTINEL MFG.
 1527 NC HWY 711
 LUMBERTON, NC 28360
 (910) 735-1351

DRAWING:
 OUTBACK GATE
 DROP RAIL
 54"HT X 48" WD

SIZE	DWG NO.	DATE	SHEET	REV
D	OU-54HX48W-DR	06-06-05	1 OF 1	NC

© 2005. This drawing may not be altered or reproduced without the permission of SENTINEL MFG.