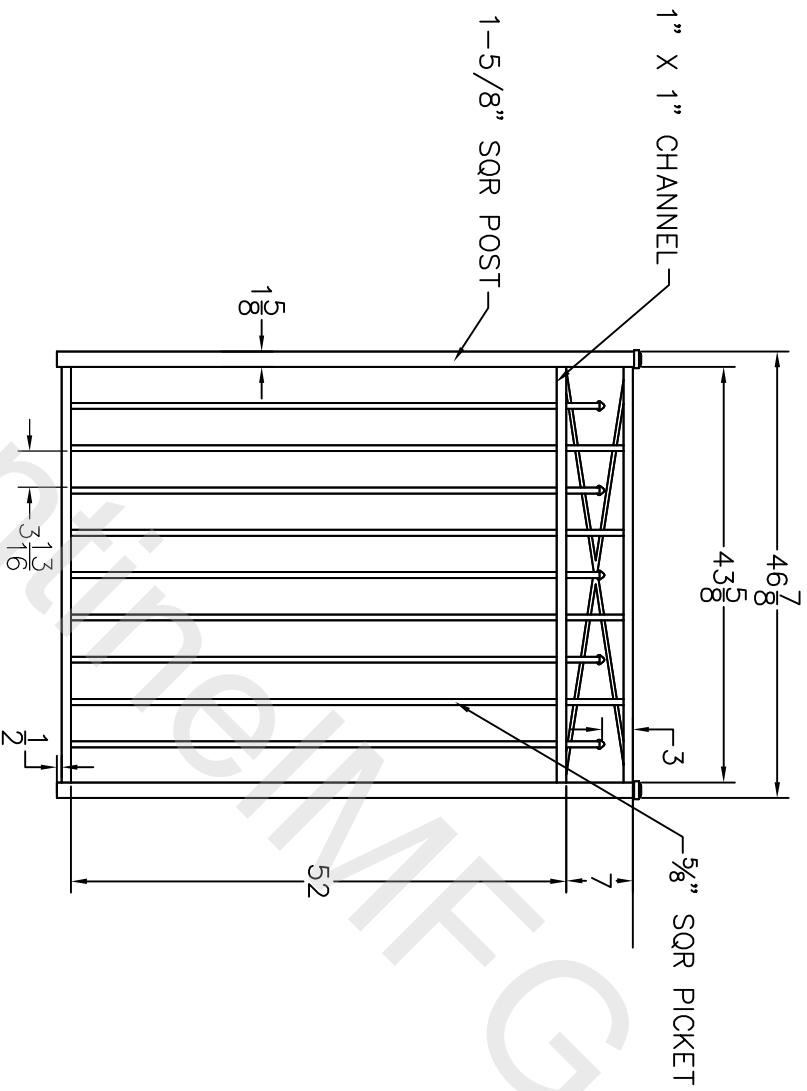


DATE	REV	DESCRIPTION	DATE	APPROVED
NC	01	INITIAL RELEASE		
OT	01	REVISE FROM 54X48 DR GATE	03/14/12	



OUTSIDE VIEW

- NOTES:
1. ALL DIMENSIONS IN INCHES.
  2. INSTALL POSTS PER STANDARD CONSTRUCTION PRACTICES

SENTINEL MFG.  
 1527 NC HWY 711  
 LUMBERTON, NC 28360  
 (910) 735-1351

DRAWING:  
 OUTBACK GATE  
 DROP RAIL  
 60"HT X 48" WD

SIZE	DWG NO	DATE	SHEET	REV
D	OU-60HX48W-DR	02-01-12	1 OF 1	NC

© 2005. This drawing may not be altered or reproduced without the permission of SENTINEL MFG.