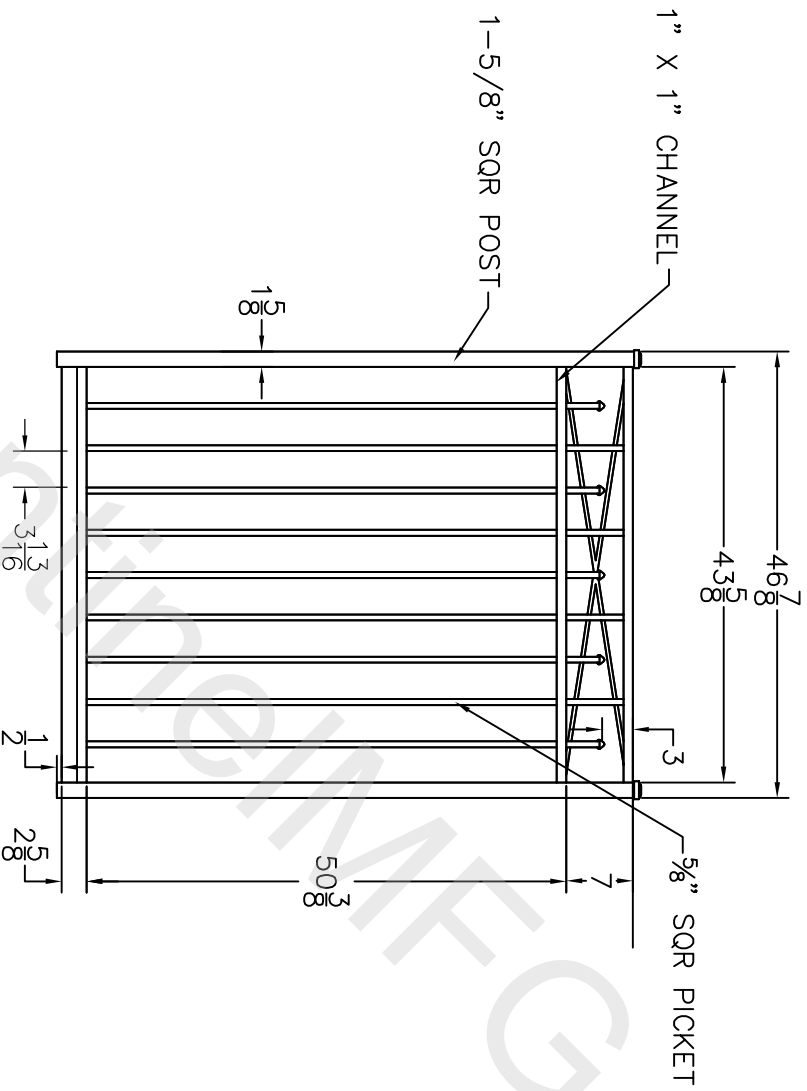


| DATE | REV | DESCRIPTION | DATE | APPROVED |
|------|-----|-----------------------------------|----------|----------|
| - | NC | INITIAL RELEASE | | |
| - | OT | CREATED FROM 60X48 DROP RAIL GATE | 03/15/12 | |



- NOTES:
1. ALL DIMENSIONS IN INCHES.
 2. INSTALL POSTS PER STANDARD CONSTRUCTION PRACTICES

SENTINEL MFG.
 1527 NC HWY 711
 LUMBERTON, NC 28360
 (910) 735-1351

DRAWING:
 OUTBACK GATE
 SUPER HEAVY DUTY
 60"HT X 48" WD

| | | | | |
|------|----------------|----------|--------|-----|
| SIZE | DWG NO. | DATE | SHEET | REV |
| D | OU-60HX48W-SHD | 02-01-12 | 1 OF 1 | NC |

© 2005. This drawing may not be altered or reproduced without the permission of SENTINEL MFG.