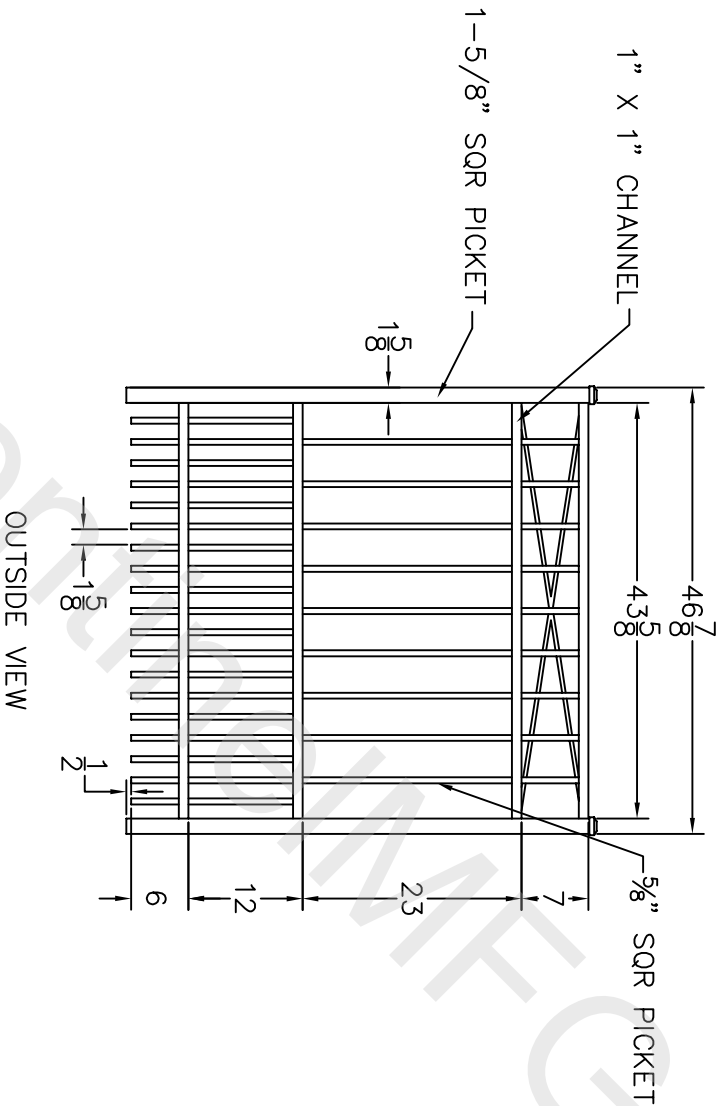


DATE	REV	DESCRIPTION	DATE	APPROVED
-	NC	INITIAL RELEASE		
-	OT	CREATE FROM STD GATE AND FENCE	03/14/12	



OUTSIDE VIEW

- NOTES:
1. ALL DIMENSIONS IN INCHES.
 2. INSTALL POSTS PER STANDARD CONSTRUCTION PRACTICES

© 2004. This drawing may not be altered or reproduced without the permission of SENTINEL MFG.

SENTINEL MFG.
1527 NC HWY 711
LUMBERTON, NC 28360
(910) 735-1351

DRAWING:
PUPPY PICKET GATE-
48"HT X 48" WD-
SIERRA TOP & BOTTOM

SIZE	DWG NO	DATE	SHEET	REV
D	PP-48HX48W-SI	06-06-05	1 OF 1	NC
SCALE				