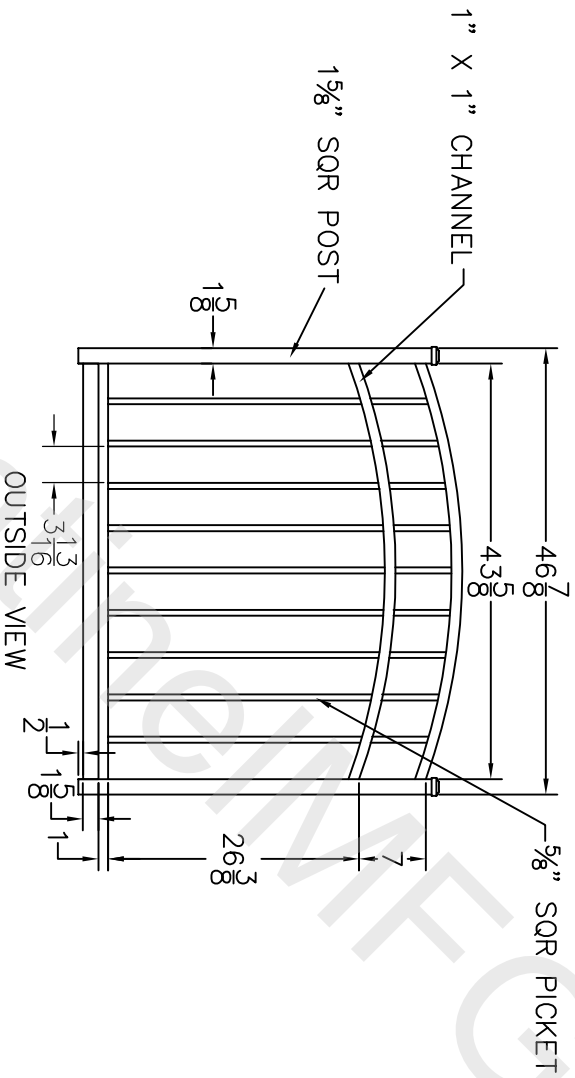


| DATE     | BY | DESCRIPTION                      | DATE | APPROVED |
|----------|----|----------------------------------|------|----------|
| 01/30/12 | NC | INITIAL RELEASE                  |      |          |
|          | OT | REVISE FROM 48X48 ARCHED HD GATE |      |          |



- NOTES:
1. ALL DIMENSIONS IN INCHES.
  2. INSTALL POSTS PER STANDARD CONSTRUCTION PRACTICES

SENTINEL MFG.  
 1527 NC HWY 711  
 LUMBERTON, NC 28360  
 (910) 735-1351

DRAWING:  
 SIERRA ARCHED GATE-  
 HEAVY DUTY  
 36"HT X 48" WD

|      |                 |          |        |     |
|------|-----------------|----------|--------|-----|
| SIZE | DWG NO.         | DATE     | SHEET  | REV |
| D    | SI-36HX48W-A-HD | 01-30-12 | 1 OF 1 | NC  |

© 2004. This drawing may not be altered or reproduced without the permission of SENTINEL MFG.