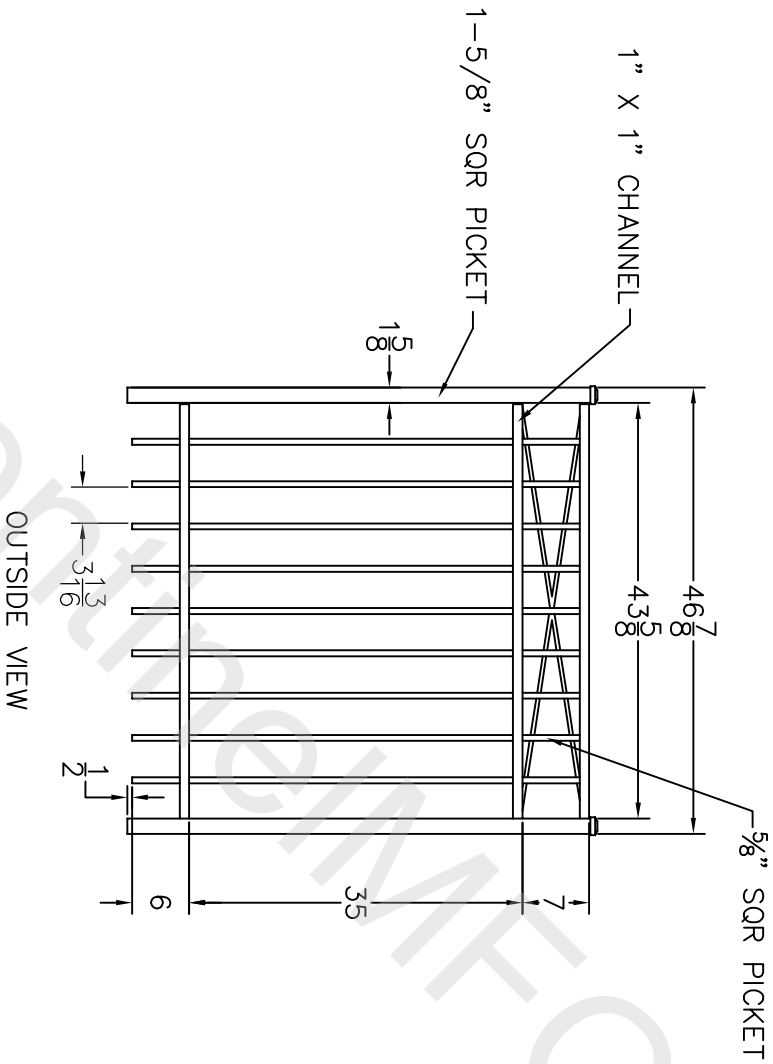


DATE	BY	DESCRIPTION	DATE	APPROVED
07/19/12	NC	INITIAL RELEASE		
	OT	REVISE CO. NAME, REMOVE INSIDE VIEW.		



OUTSIDE VIEW

- NOTES:
1. ALL DIMENSIONS IN INCHES.
  2. INSTALL POSTS PER STANDARD CONSTRUCTION PRACTICES

SENTINEL MFG.  
 1527 NC HWY 711  
 LUMBERTON, NC 28360  
 (910) 735-1351

DRAWING:  
 SIERRA GATE-  
 48"HT X 48" WD

SIZE	DWG NO.	DATE	SHEET	REV
D	SI-48HX48W	06-06-05	1 OF 1	NC

© 2004. This drawing may not be altered or reproduced without the permission of SENTINEL MFG.