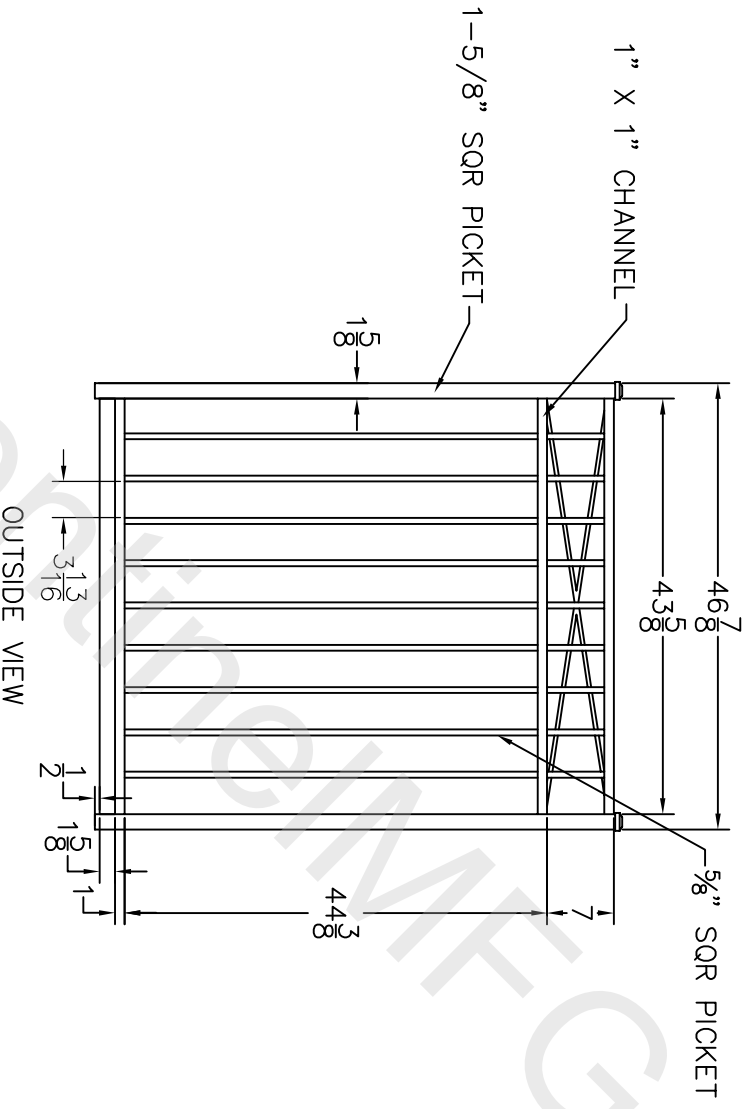


DATE	REV	DESCRIPTION	DATE	APPROVED
-	NC	INITIAL RELEASE		
-	OT	REVISE CO. NAME, REMOVE INSIDE VIEW	07/24/12	
		CHANGE DRAWING TITLE & NAME		



© 2004. This drawing may not be altered or reproduced without the permission of SENTINEL MFG.

- NOTES:
1. ALL DIMENSIONS IN INCHES.
  2. INSTALL POSTS PER STANDARD CONSTRUCTION PRACTICES

SENTINEL MFG.  
 1527 NC HWY 711  
 LUMBERTON, NC 28360  
 (910) 735-1351

DRAWING:  
 SIERRA GATE-  
 SUPER HEAVY DUTY  
 54"HT X 48" WD

SIZE	DWG NO.	DATE	SHEET	REV
D	SI-54HX48W-SHD	06-06-05	1 OF 1	NC