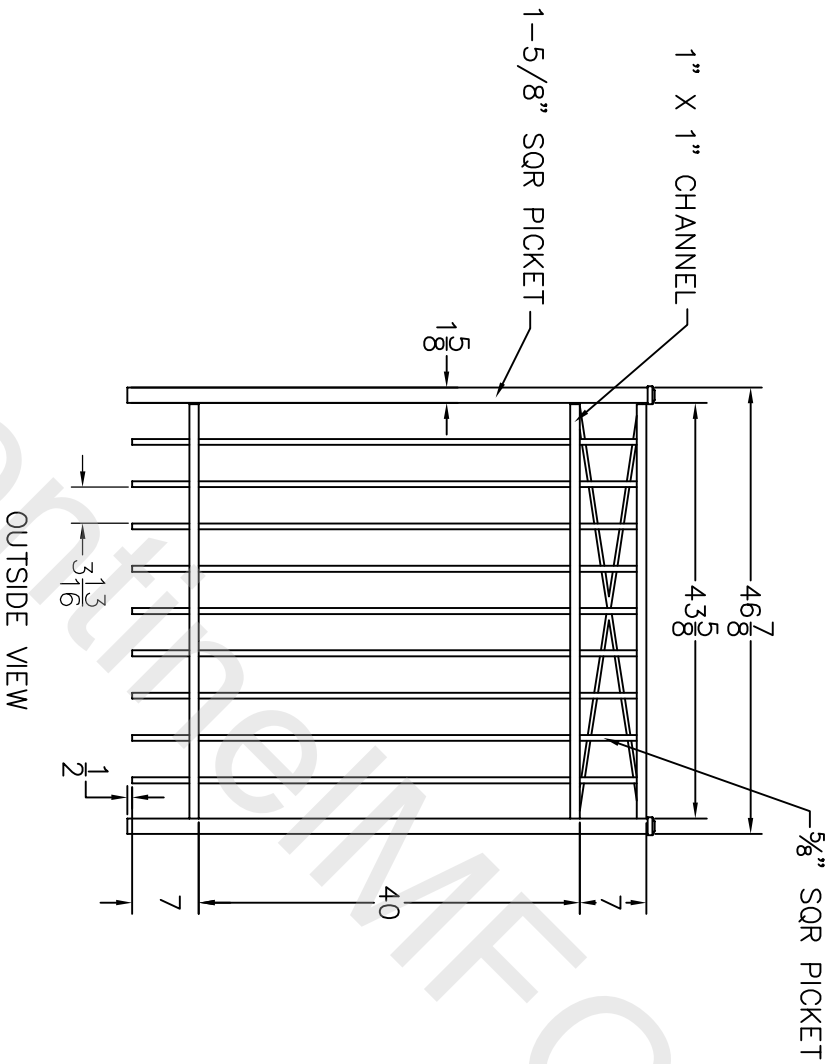


DATE	REV	DESCRIPTION	DATE	APPROVED
07/30/12	NC	INITIAL RELEASE		
03/28/12	01	REVISE FROM 48X48 STD. GATE		
	02	CORRECT RAIL DIMENSIONS		



- NOTES:
1. ALL DIMENSIONS IN INCHES.
 2. INSTALL POSTS PER STANDARD CONSTRUCTION PRACTICES

SENTINEL MFG.
 1527 NC HWY 711
 LUMBERTON, NC 28360
 (910) 735-1351

DRAWING:
 SIERRA GATE-
 54"HT X 48" WD

SIZE	DWG NO.	DATE	SHEET	REV
D	SI-54HX48W	01-30-12	1 OF 1	NC

© 2004. This drawing may not be altered or reproduced without the permission of SENTINEL MFG.