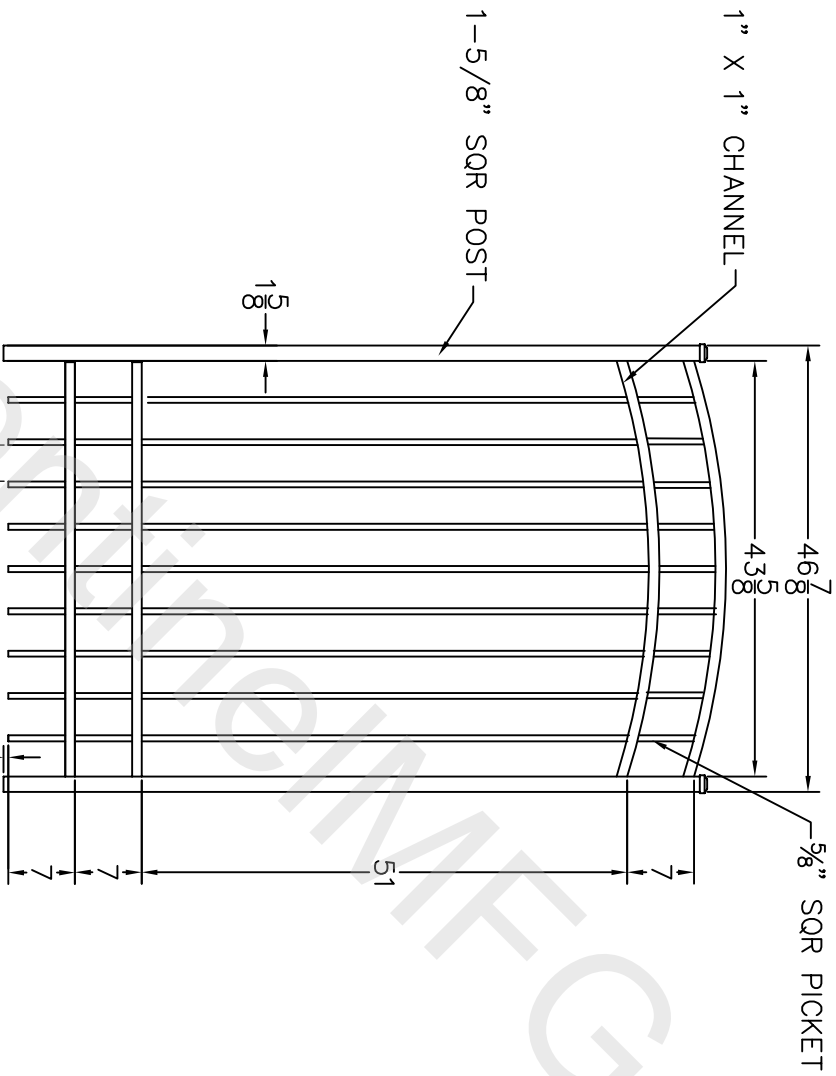


DATE	REV	DESCRIPTION	DATE	APPROVED
NC	01	INITIAL RELEASE	07/25/12	
OT		REVISE CO. NAME, REMOVE INSIDE VIEW.		



OUTSIDE VIEW

NOTES:

1. ALL DIMENSIONS IN INCHES.
2. INSTALL POSTS PER STANDARD CONSTRUCTION PRACTICES

SENTINEL MFG.
 1527 NC HWY 711
 LUMBERTON, NC 28360
 (910) 735-1351

DRAWING:
 SIERRA ARCHED GATE
 72"HT X 48" WD

SIZE	DWG NO	DATE	REV
D	SI-72HX48W-AR	06-06-05	NC
SCALE			SHEET 1 OF 1

© 2004. This drawing may not be altered or reproduced without the permission of SENTINEL MFG.