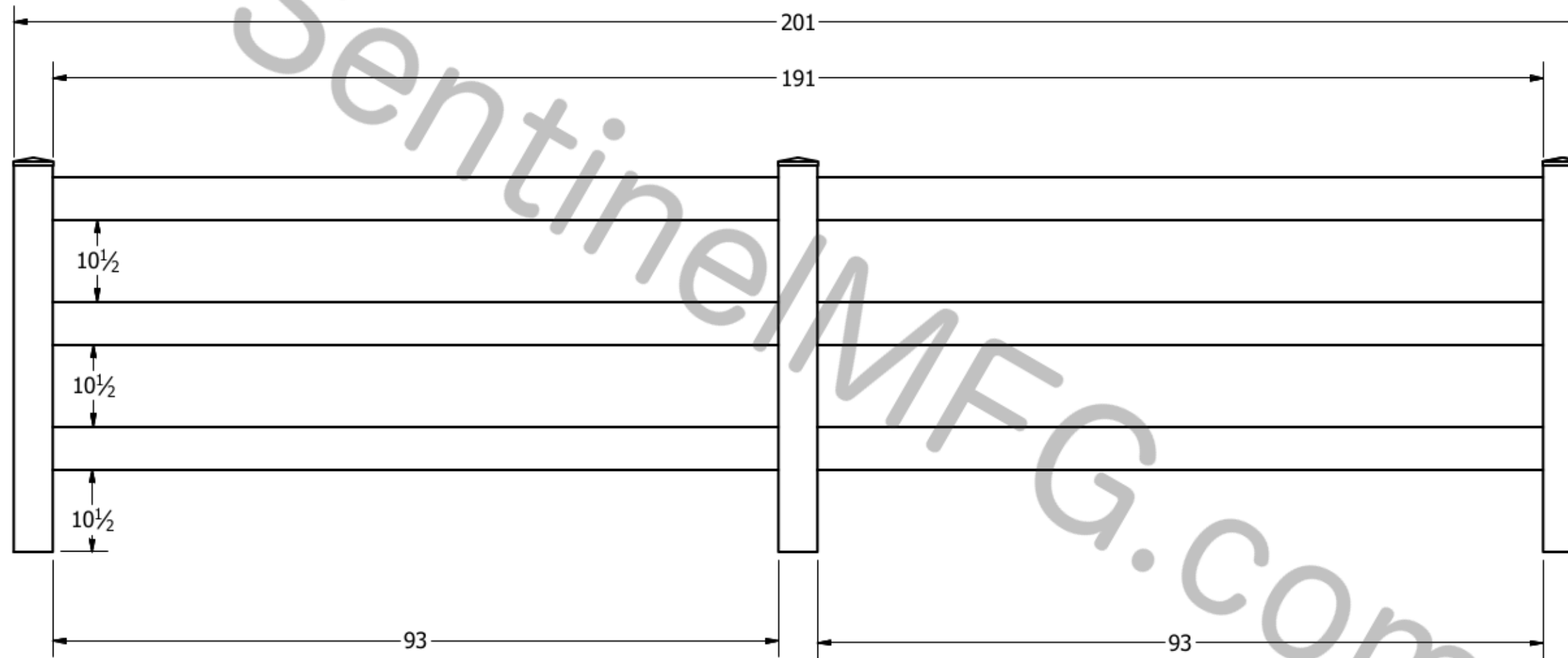
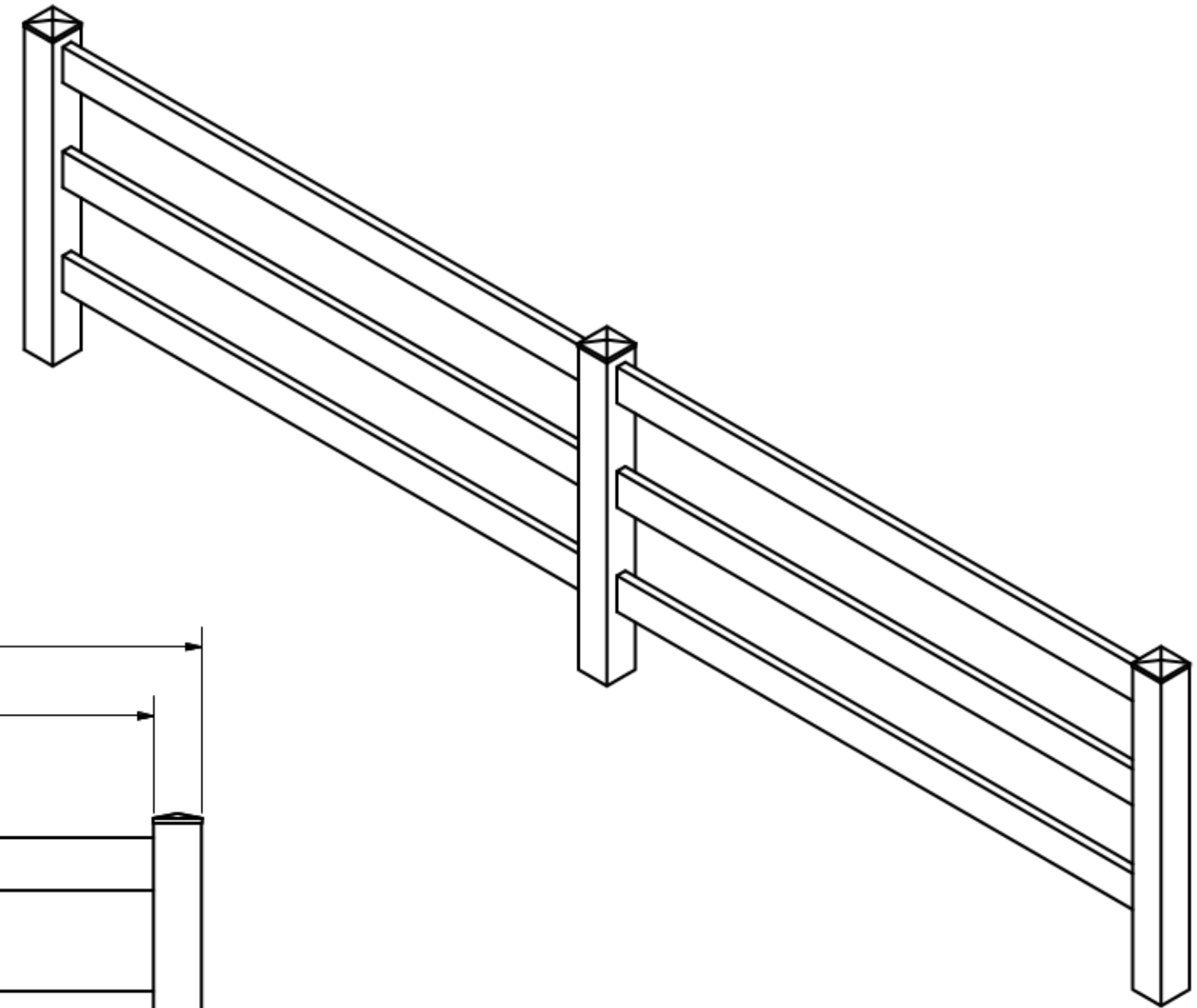


REVISIONS				
ZONE	REV	DESCRIPTION	DATE	APPROVED



SentinelMFG.com

SENTINEL FENCE, LLC.

1527 NC HWY 711
LUMBERTON, NC 28360
(910) 735-1351

PARTS LIST			
ITEM	QTY	PART NUMBER	DESCRIPTION
3	3	Post	5" x 5"
1	2	Bottom Rail	1.5" x 5.5"
4	4	Top Rail	1.5" x 5.5"

TOLERANCE UNLESS SPECIFIED

X/X = ±1/16
.X = ±.05
.XX = ±.015
.XXX = ±.005
.XXXX = ±.001

ANGLE = ±0.5°

DRAWING:

4' x 3 Rail Prefab Classic Ranch
Rail.iam

SIZE	DWG NO.	REV
SCALE	DATE	SHEET

© 2013. This drawing may not be altered or reproduced without the permission of SENTINEL FENCE, LLC.