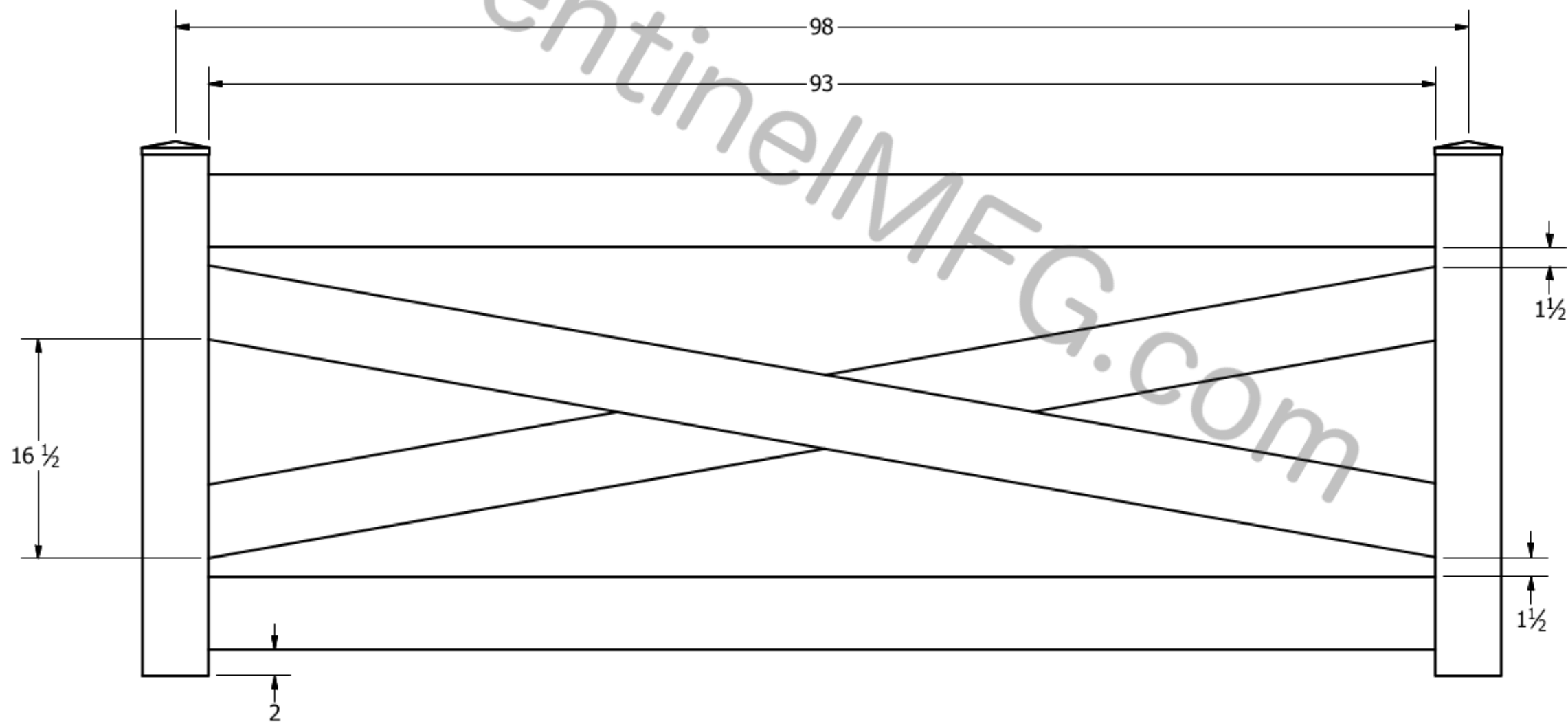
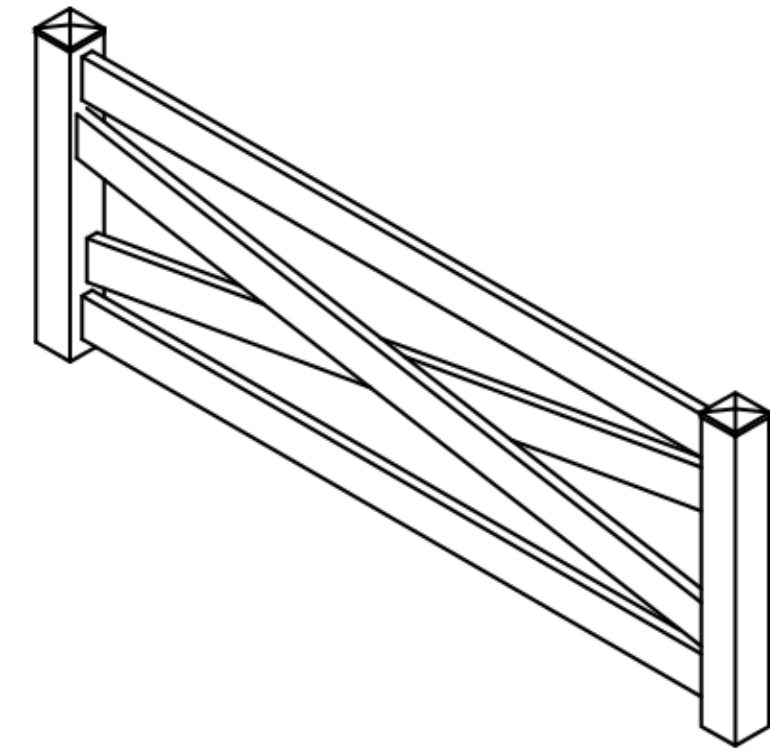


REVISIONS				
ZONE	REV	DESCRIPTION	DATE	APPROVED



PARTS LIST			
ITEM	QTY	PART NUMBER	DESCRIPTION
3	2	Post	5" x 5"
1	1	Bottom Rail	1.5" x 5.5"
4	1	Top Rail	1.5" x 5.5"
7	2	Middle Rail	

SENTINEL FENCE, LLC.

1527 NC HWY 711
LUMBERTON, NC 28360
(910) 735-1351

TOLERANCE UNLESS SPECIFIED

X/X = ±1/16
.X = ±.05
.XX = ±.015
.XXX = ±.005
.XXXX = ±.001

ANGLE = ±0.5°

DRAWING:

8FT Wide Cross Railed Ranch
Fence.iam

SIZE	DWG NO.	REV
SCALE	DATE	SHEET

© 2013. This drawing may not be altered or reproduced without the permission of SENTINEL FENCE, LLC.