

REVISIONS				
ZONE	REV	DESCRIPTION	DATE	APPROVED

D

D

C

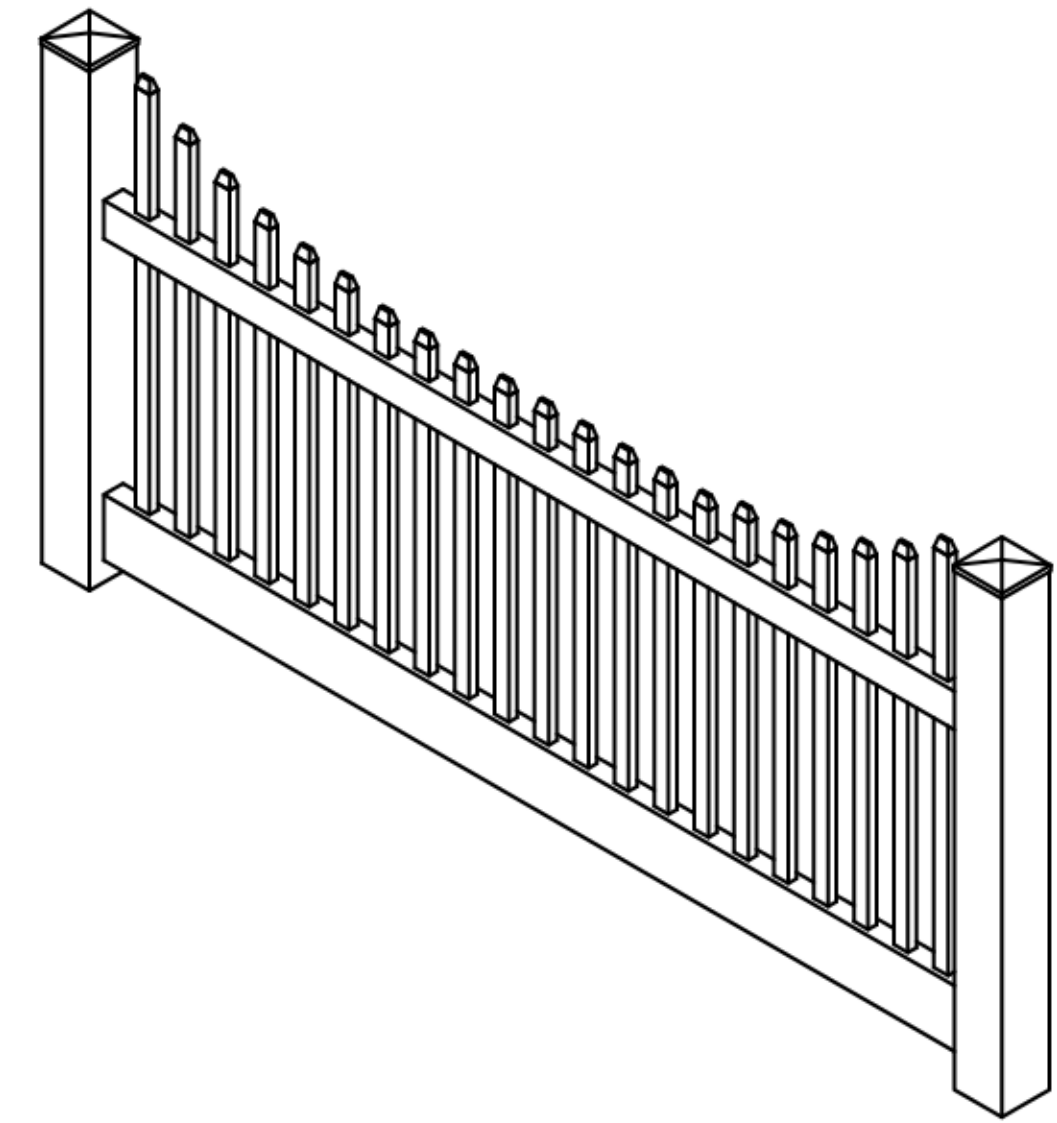
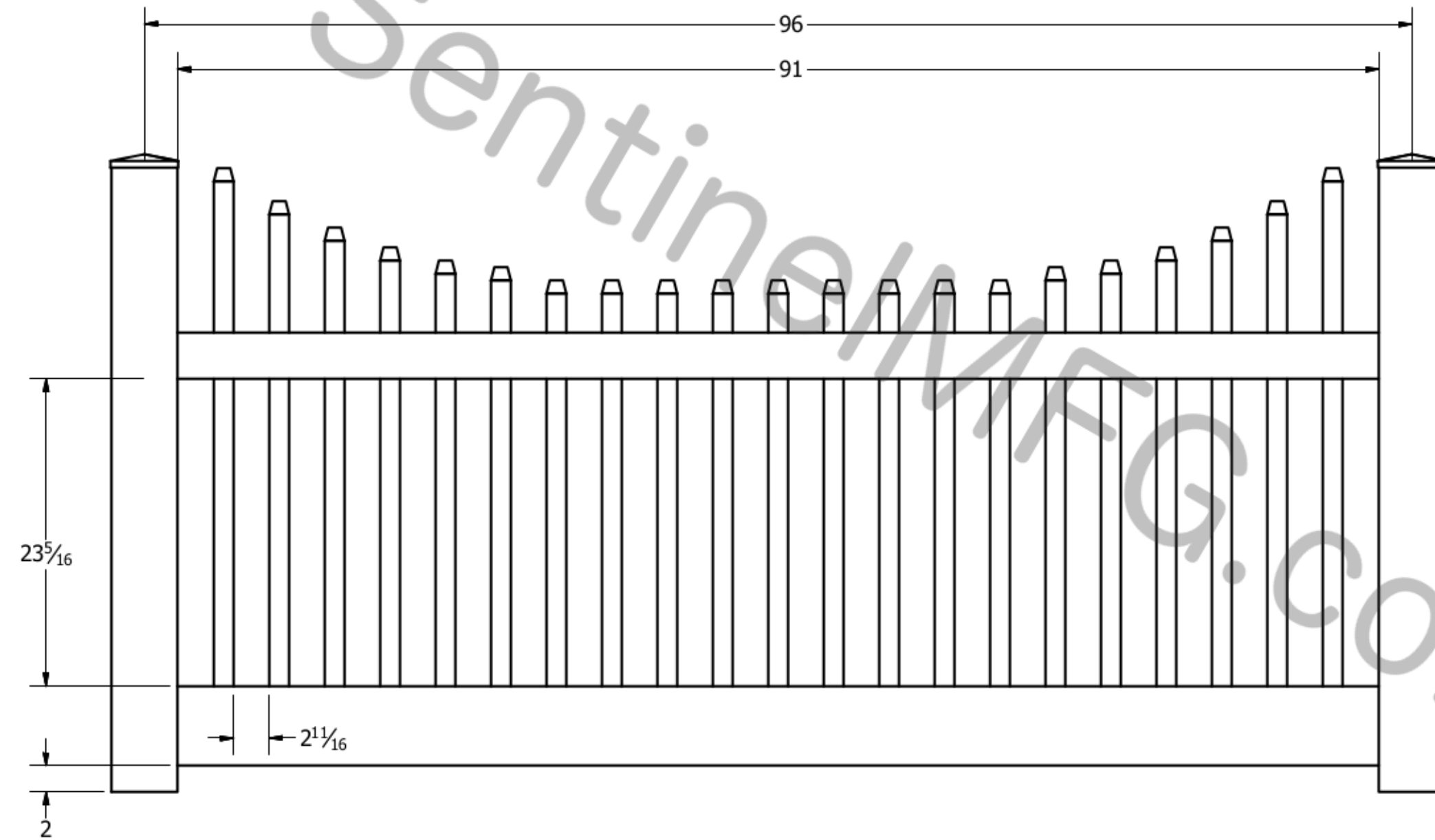
C

B

B

A

A



SENTINEL FENCE, LLC.

1527 NC HWY 711
LUMBERTON, NC 28360
(910) 735-1351

TOLERANCE UNLESS SPECIFIED

- X/X = ±1/16
- .X = ±.05
- .XX = ±.015
- .XXX = ±.005
- .XXXX = ±.001

ANGLE = ±0.5°

DRAWING:

8 Ft Wide Scalloped Narrow.iam

© 2013. This drawing may not be altered or reproduced without the permission of SENTINEL FENCE, LLC.

SIZE	DWG NO.	REV
SCALE	DATE	SHEET

4

3

2

1