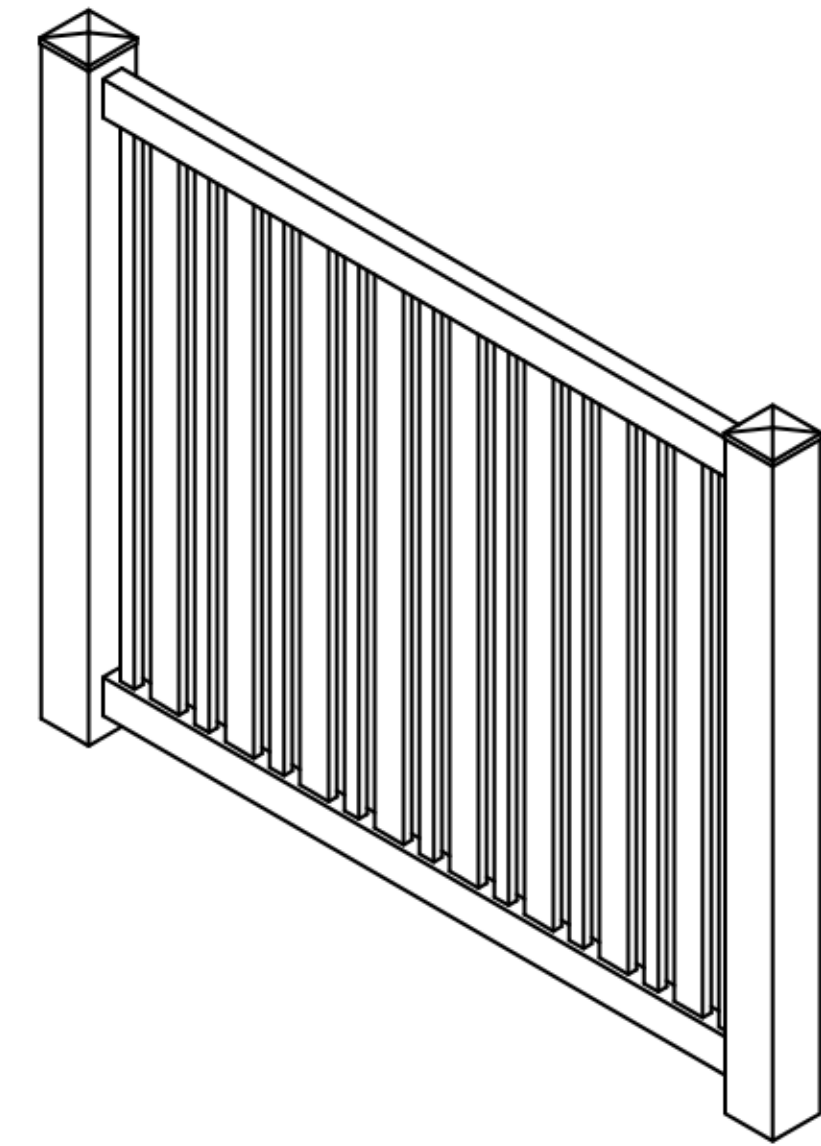
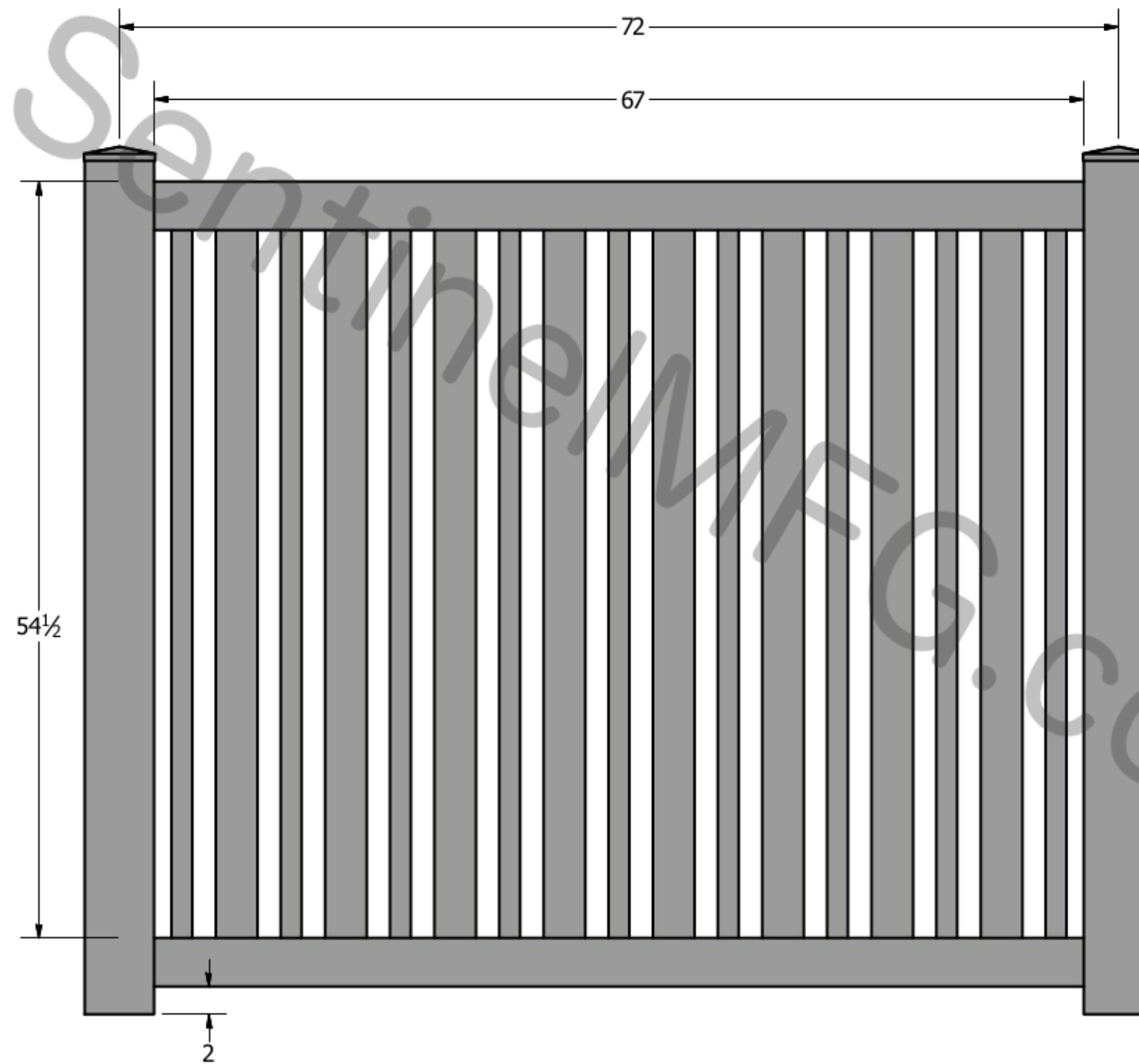


REVISIONS				
ZONE	REV	DESCRIPTION	DATE	APPROVED



SENTINEL FENCE, LLC.

1527 NC HWY 711
LUMBERTON, NC 28360
(910) 735-1351

PARTS LIST			
ITEM	QTY	PART NUMBER	DESCRIPTION
3	2	Post	5" x 5"
1	1	Bottom Rail	2" x 3.5"
4	1	Top Rail	2" x 3.5"
2	9	Picket	7/8" x 1.5"
5	8	PicketWide	7/8" x 3"

TOLERANCE UNLESS SPECIFIED

X/X = ±1/16
.X = ±.05
.XX = ±.015
.XXX = ±.005
.XXXX = ±.001

ANGLE = ±0.5°

DRAWING:

**6 Ft Wide Semi Privacy 2 Rail
Fence.iam**

SIZE	DWG NO.	REV
SCALE	DATE	SHEET

© 2013. This drawing may not be altered or reproduced without the permission of SENTINEL FENCE, LLC.