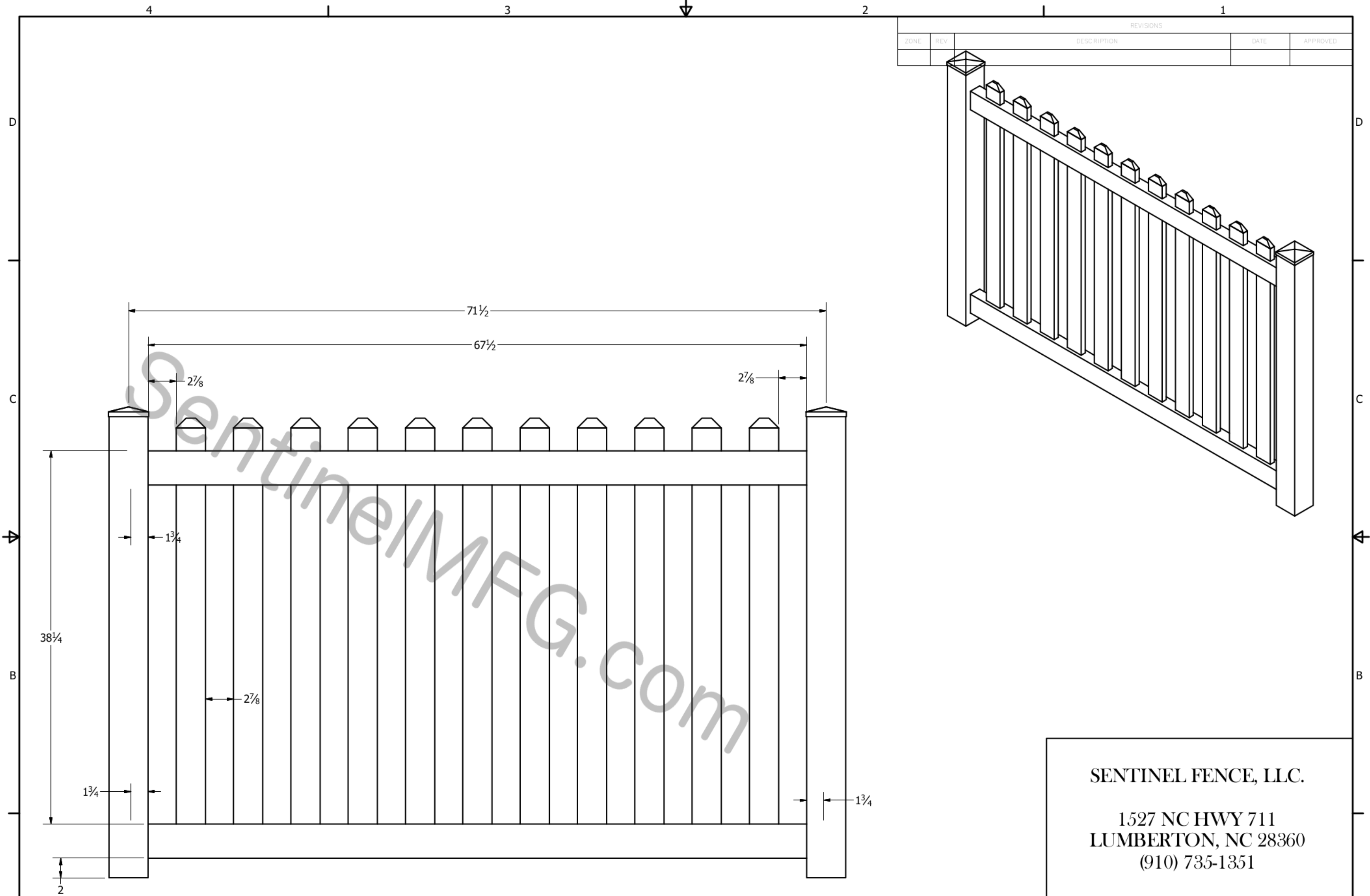


REVISIONS				
ZONE	REV	DESCRIPTION	DATE	APPROVED



PARTS LIST			
ITEM	QTY	PART NUMBER	DESCRIPTION
1	2	Post	4" x 4"
2	1	Bottom Rail	2" x 3.5"
3	1	Top Rail	2" x 3.5"
4	11	Picket	7/8" x 1.5"

TOLERANCE UNLESS SPECIFIED

X/X = ±1/16
 .X = ±.05
 .XX = ±.015
 .XXX = ±.005
 .XXXX = ±.001

ANGLE = ±0.5°

SENTINEL FENCE, LLC.

1527 NC HWY 711
 LUMBERTON, NC 28360
 (910) 735-1351

DRAWING:		
6 Ft Wide, Wide Picket.iam		
SIZE	DWG NO.	REV
SCALE	DATE	SHEET

© 2013. This drawing may not be altered or reproduced without the permission of SENTINEL FENCE, LLC.