

OrnaMAG® Latches

Vertically
Adjustable Keeper

Durable
Metal Housing



Powerful
Magnetic
Locking
Feature!

For Ornamental Gates

The patented OrnaMAG® is a new magnetic latch with field proven internal parts offering an exciting new alternative for ornamental gates. This new key-locking latch is sure to add an elegant look that will compliment all styles of ornamental gate applications at a great price!

- » Accommodates up to a 2" gate post profile
- » Key Locking
- » Reversible for right or left hand use

Very
Easy to
Install!

Three finishes available; black, bronze and white
Non-locking version also available



**Back Plates Included to
Accommodate Gate Gap Variance**

Back Plate Gap Range:

- » Standard Back Plate 5/16" to 13/16"
- » Offset Back Plate 13/16" to 1-7/16"

Ornamag®
is not
recommended
for use on
swimming
pool gates



SENTINEL FENCE & GATE

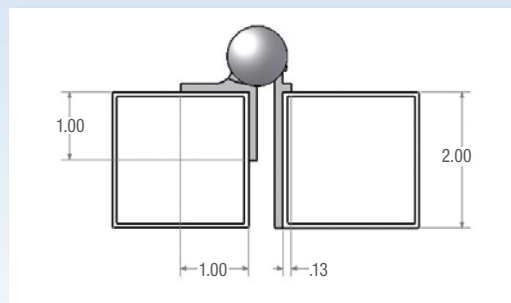
www.sent-fence.com



5" Self-Closing Aluminum Hinge

- » Post flange: 1/8"(W) x 2"(D)
- » Gate flange: 1"(W) x 1"(D)
- » Also includes shim for wall-mount applications
- » Tension adjustment wrench and barrel caps included

Three finishes available; black, bronze and white



SENTINEL FENCE & GATE

1527 NC Hwy 771
Lumberton, NC 28360
(877) 999-0089
Email: sales@sent-fence.com
www.sent-fence.com