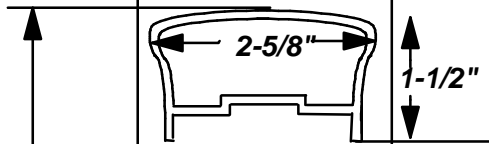


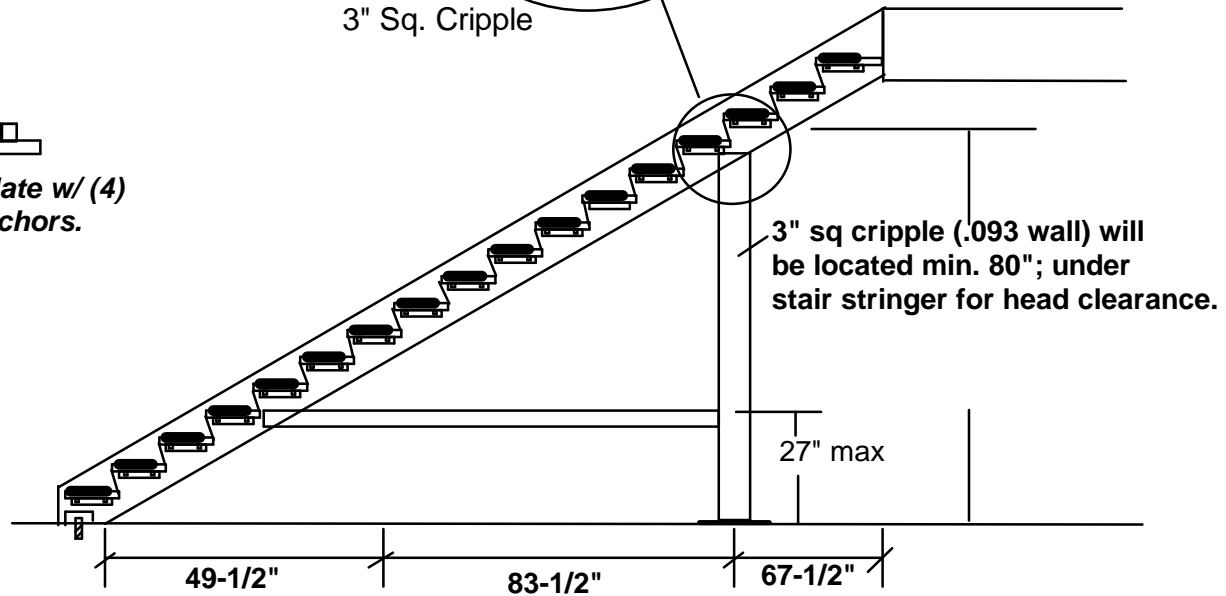
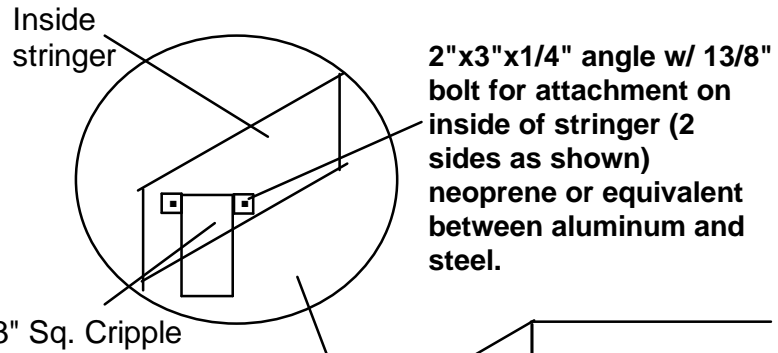
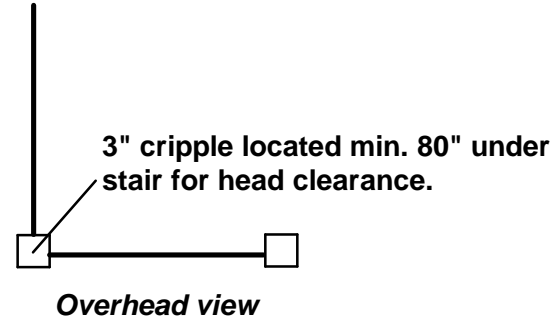
Cane Detection Railing Detail



3" aluminum sq. tube (.093 wall thickness). Corner cripple post.

27"

4" x 5" x 1/4" mounting plate w/ (4) 3/8" galvanized sleeve anchors.



KBS Construction
Montague Terrace Apts

Sentinel Fence, LLC
High Point, NC