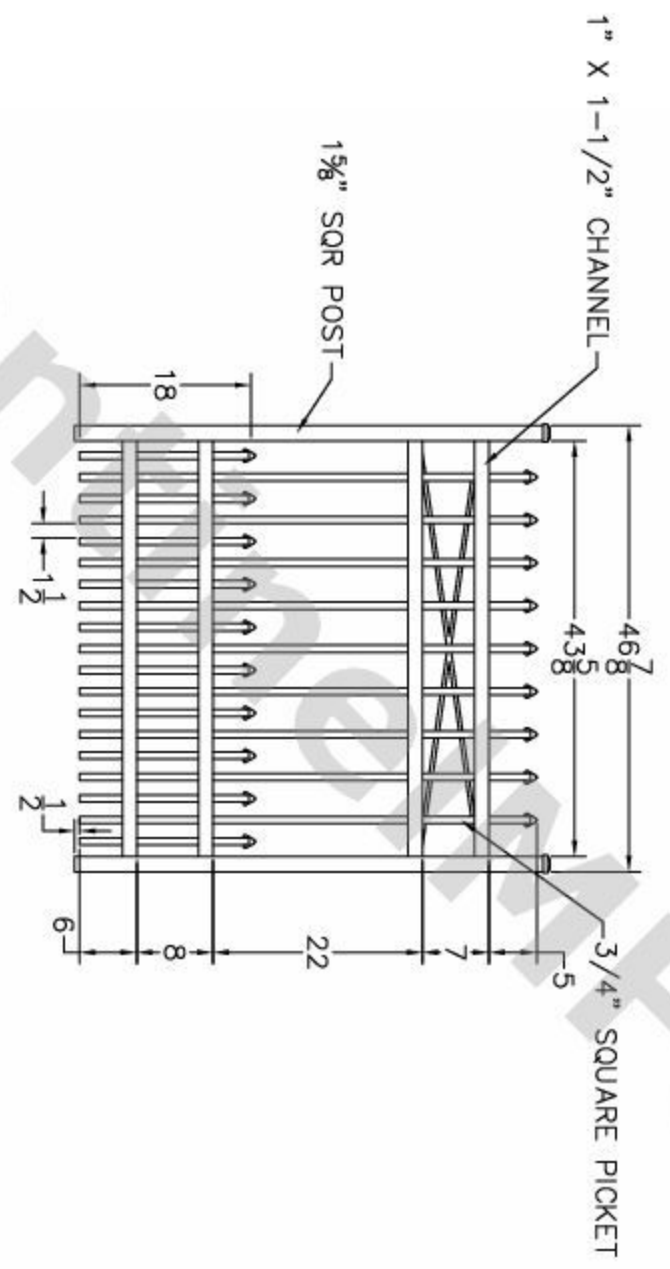


REV	NO	DATE	BY	CHKD
-	NC	08/05/12		
- 01 CREATED FROM 3P-C-48X48-AP				



- NOTES:
1. ALL DIMENSIONS IN INCHES.
 2. INSTALL POSTS PER STANDARD CONSTRUCTION PRACTICES

SENTINEL MFG.
 1527 NC HWY 711
 LUMBERTON, NC 28360
 (910) 735-1351

DRAWING:
 COMMERCIAL GRADE
 PUPPY PICKET GATE
 48" HT X 48" WD
 APPALACHIAN

SIZE	D	DWG NO	PP-C-48X48-AP	REV	NC
SHEET		DATE	11-26-09	SHEET	1 OF 1

© 2009. This drawing may not be altered or reproduced without the permission of SENTINEL MFG.