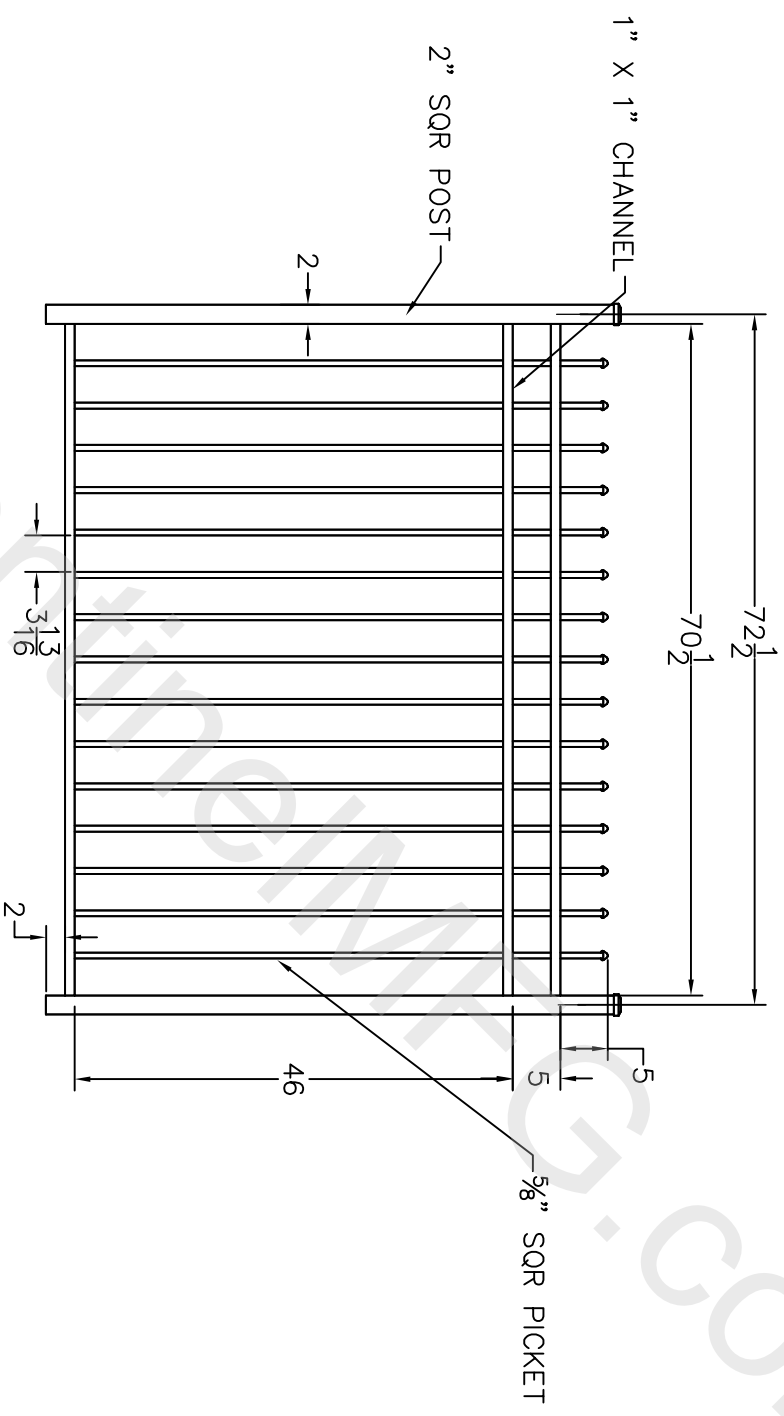


DATE	BY	REVISION
03/08/12		INITIAL RELEASE
		REVISE COMPANY NAME



- NOTES:
1. ALL DIMENSIONS IN INCHES.
 2. INSTALL POSTS PER STANDARD CONSTRUCTION PRACTICES

SENTINEL MFG.
 1527 NC HWY 711
 LUMBERTON, NC 28360
 (910) 735-1351

DRAWING:
 APPALACHIAN-- 57" HT
 W/ DROP RAIL

SIZE	DWG NO.	REV
D	AP-57-DR	NC
SCALE	DATE	SHEET
	06-06-05	1 OF 1

© 2005. This drawing may not be altered or reproduced without the permission of SENTINEL MFG.