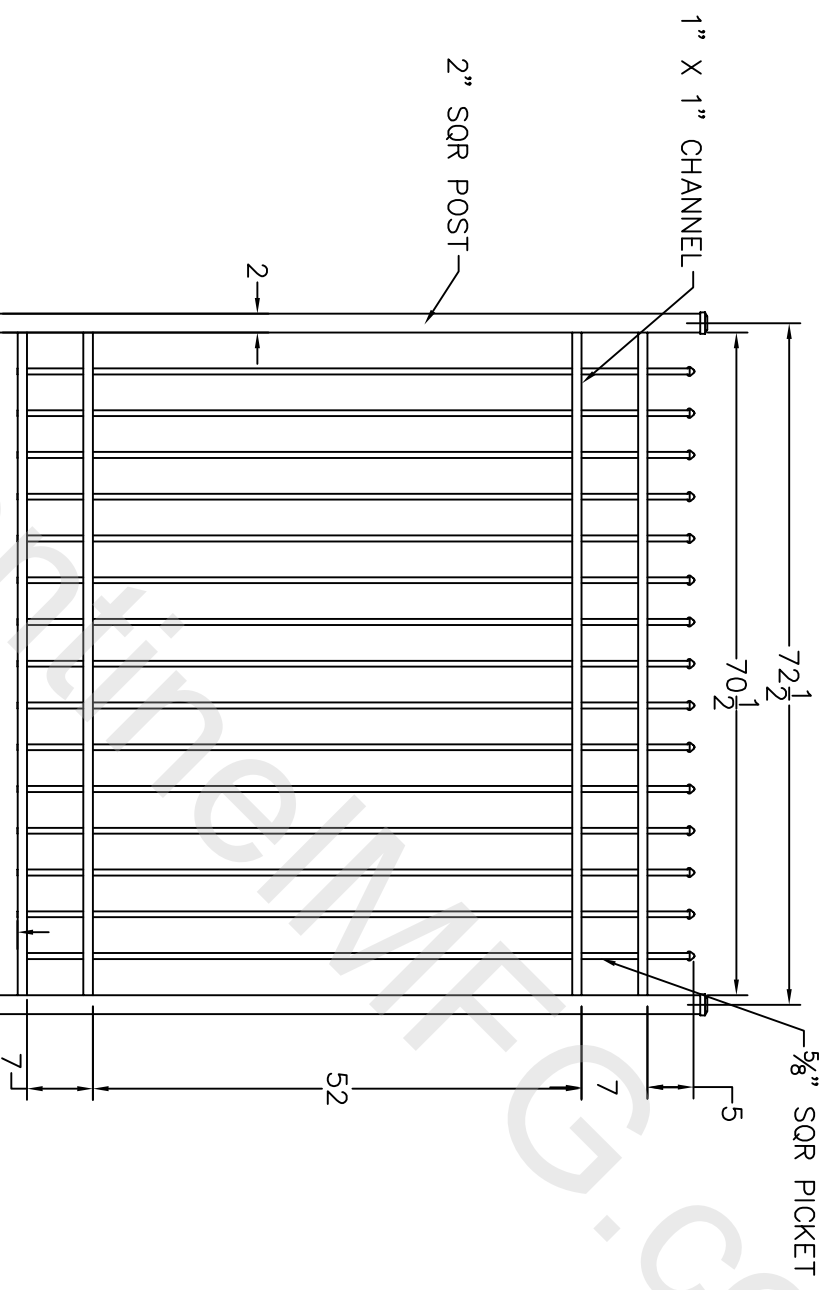


DATE	APPROVED
07/10/12	
REVISION	
NO	DESCRIPTION
01	INITIAL RELEASE
01	REVISE CO. NAME



- NOTES:
1. ALL DIMENSIONS IN INCHES.
 2. INSTALL POSTS PER STANDARD CONSTRUCTION PRACTICES

SENTINEL MFG.
 1527 NC HWY 711
 LUMBERTON, NC 28360
 (910) 735-1351

DRAWING:
 APPALACHIAN - 72" HT
 DROP RAIL

SIZE	DWG NO.	REV
D	AP-72-DR	NC
SCALE	DATE	SHEET
	06-06-05	1 OF 1

© 2004. This drawing may not be altered or reproduced without the permission of SENTINEL MFG.

