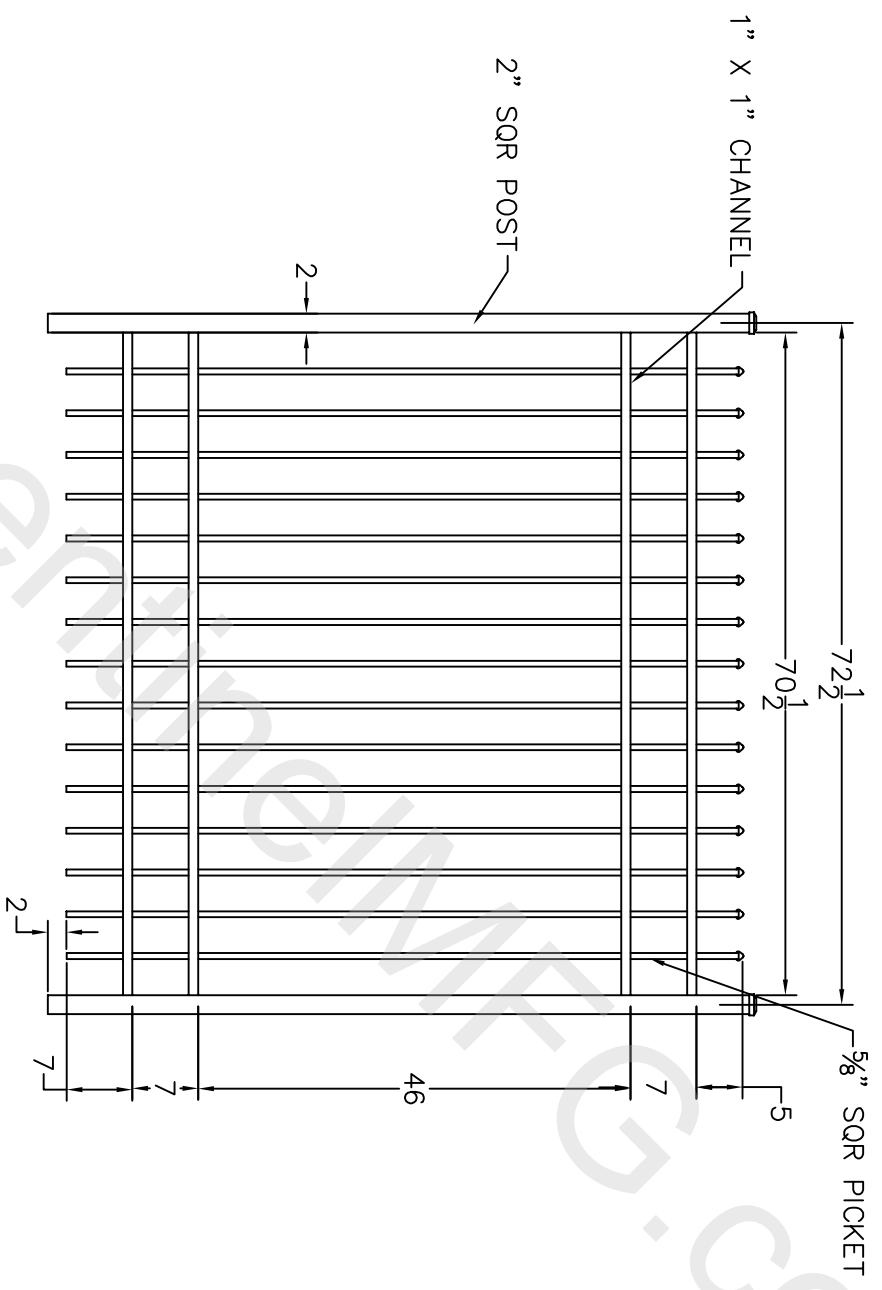


ZONE	REV	DATE	DESCRIPTION	DATE	APPROVED
- NC	INITIAL RELEASE			07/10/12	
- 01	REVISE CO. NAME				



- NOTES:
1. ALL DIMENSIONS IN INCHES.
  2. INSTALL POSTS PER STANDARD CONSTRUCTION PRACTICES

SENTINEL MFG.  
 1527 NC HWY 711  
 LUMBERTON, NC 28360  
 (910) 735-1351

DRAWING:  
 APPALACHIAN - 72" HT

SIZE	DWG NO.	REV
D	AP-72	NC
SCALE	DATE	SHEET
	06-06-05	1 OF 1

© 2004. This drawing may not be altered or reproduced without the permission of SENTINEL MFG.