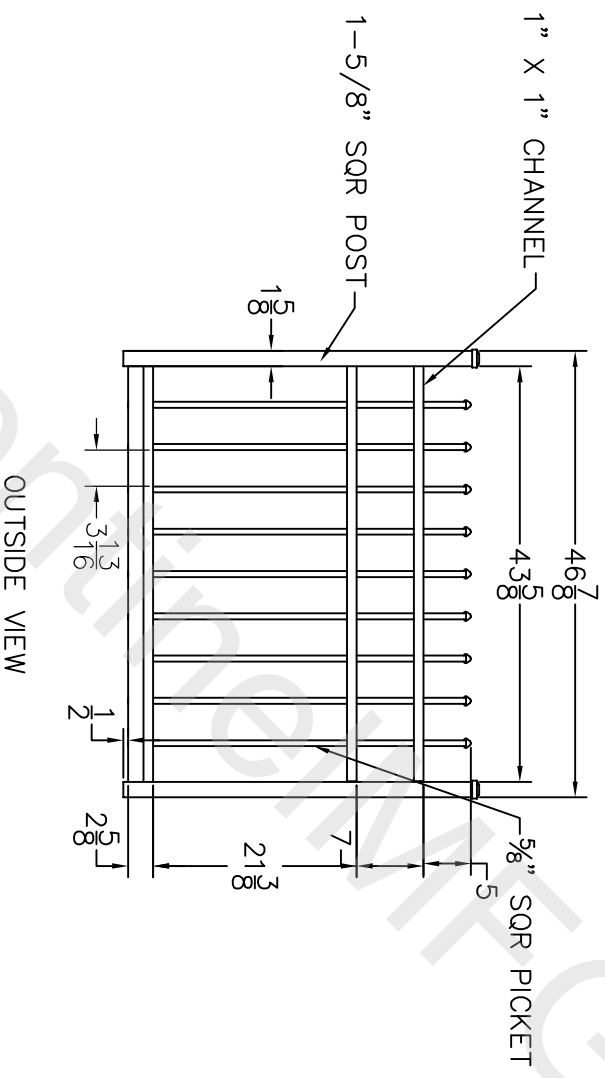


DATE	REV	DESCRIPTION	DATE	APPROVED
-	NC	INITIAL RELEASE		
-	OT	REVISED FROM 48X48 HD GATE	02/07/12	



OUTSIDE VIEW

© 2004. This drawing may not be altered or reproduced without the permission of SENTINEL MFG.

- NOTES:
1. ALL DIMENSIONS IN INCHES.
  2. INSTALL POSTS PER STANDARD CONSTRUCTION PRACTICES

SENTINEL MFG.  
 1527 NC HWY 711  
 LUMBERTON, NC 28360  
 (910) 735-1351

DRAWING:  
 APPALACHIAN GATE-  
 HEAVY DUTY  
 36"HT X 48" WD

SIZE	DWG NO	DATE	SHEET	REV
D	AP-36HX48W-HD	02-01-12	1 OF 1	NC

