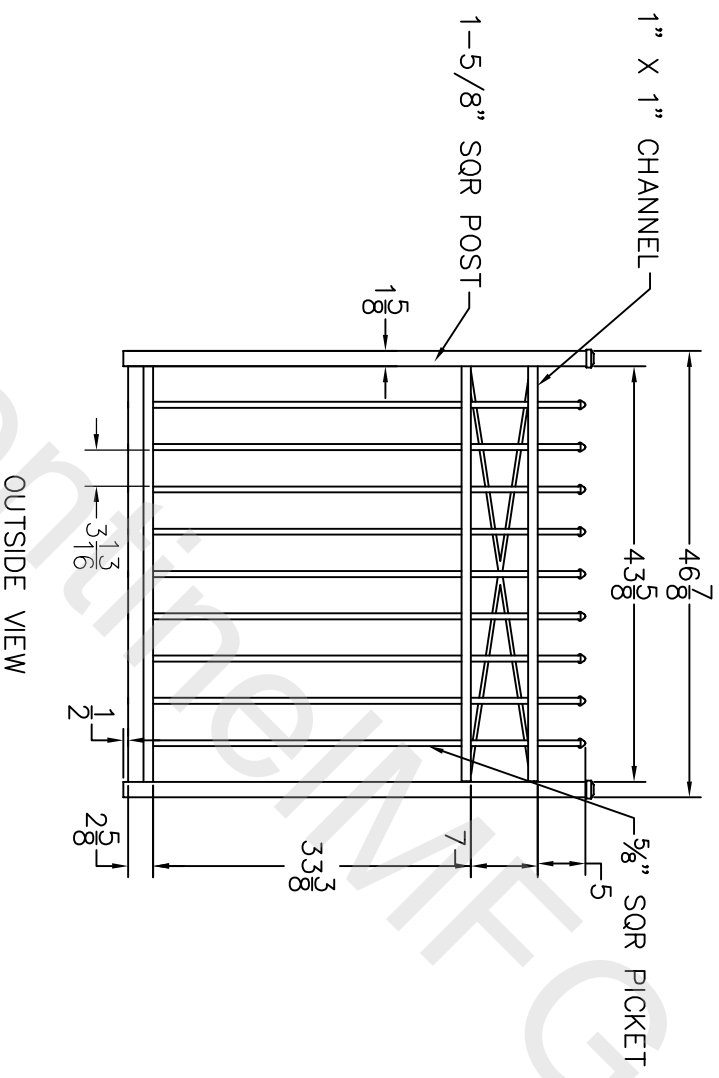


DATE	REV	DESCRIPTION	DATE	APPROVED
02/07/12	01	INITIAL RELEASE		
03/19/12	02	DRAWN FROM 54X35 HD APPALACHIAN		
		CORRECT DRAWING NAME		



OUTSIDE VIEW

© 2004. This drawing may not be altered or reproduced without the permission of SENTINEL MFG.

- NOTES:
1. ALL DIMENSIONS IN INCHES.
 2. INSTALL POSTS PER STANDARD CONSTRUCTION PRACTICES

SENTINEL MFG.
 1527 NC HWY 711
 LUMBERTON, NC 28360
 (910) 735-1351

DRAWING:
 APPALACHIAN GATE-
 SUPER HEAVY DUTY
 48"HT X 48" WD

SIZE	DWG NO.	DATE	SHEET	REV
D	AP-48HX48W-SHD	02-01-12	1 OF 1	NC