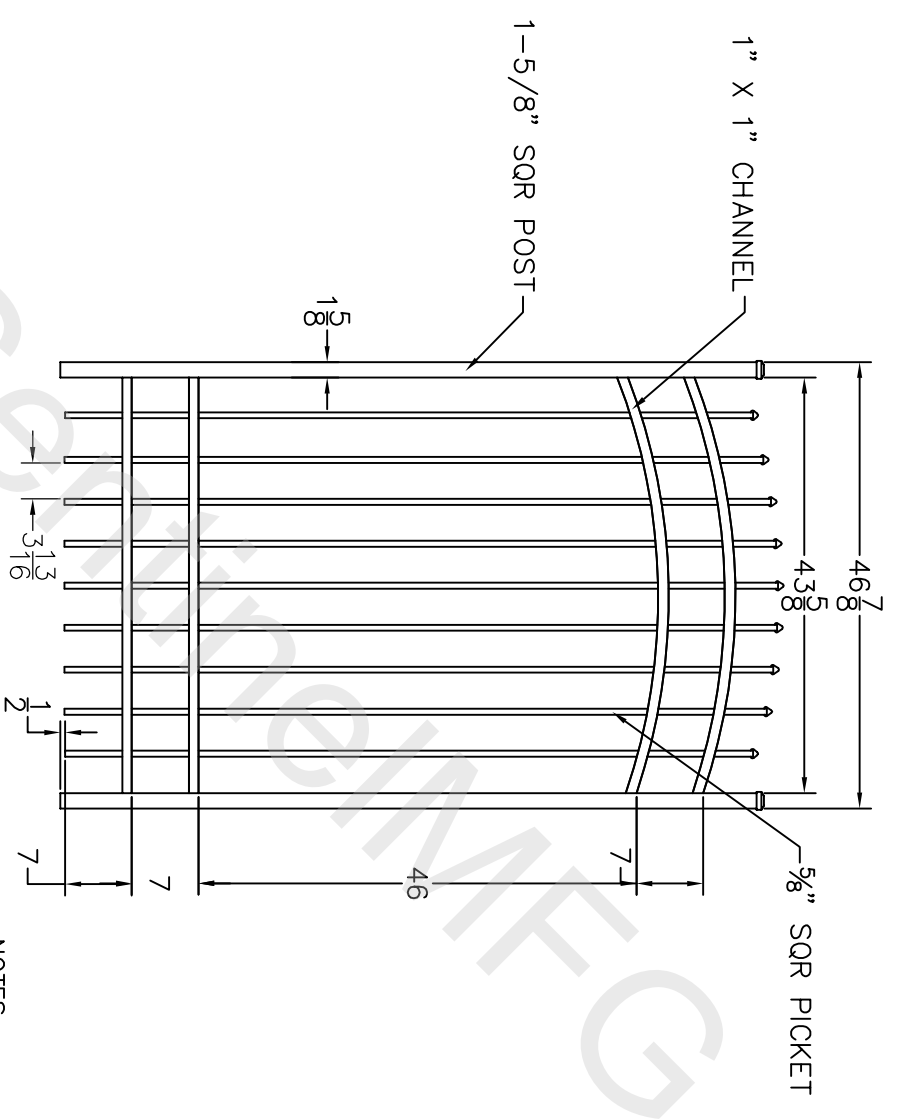


DATE	BY	DESCRIPTION	DATE	APPROVED
01/18/12	NC	INITIAL RELEASE		
	OT	REVISE CO. NAME, REMOVE INSIDE VIEW.	01/18/12	



OUTSIDE VIEW

© 2009. This drawing may not be altered or reproduced without the permission of SENTINEL MFG.

- NOTES:
1. ALL DIMENSIONS IN INCHES.
 2. INSTALL POSTS PER STANDARD CONSTRUCTION PRACTICES

DRAWING:
 APPALACHIAN ARCHED GATE-
 72"HT X 48" WD

SENTINEL MFG.
 1527 NC HWY 711
 LUMBERTON, NC 28360
 (910) 735-1351

SIZE	DWG NO.	DATE	SHEET	REV
D	AP-72HX48W-AR	01-27-09	1 OF 1	NC
SCALE				