

| REV | DESCRIPTION | DATE | APPROVED |
|-----|-------------------------|----------|----------|
| 01 | INITIAL RELEASE | 07/19/12 | |
| 01 | REVISE CO. NAME | 03/29/12 | |
| 02 | CORRECT RAIL DIMENSIONS | | |

- 1ST: 69.0
- 2ND: 69.0
- 3RD: 69.75
- 4TH: 70.50
- 5TH: 71.25
- 6TH: 72.0
- 7TH: 72.75
- 8TH: 72.75

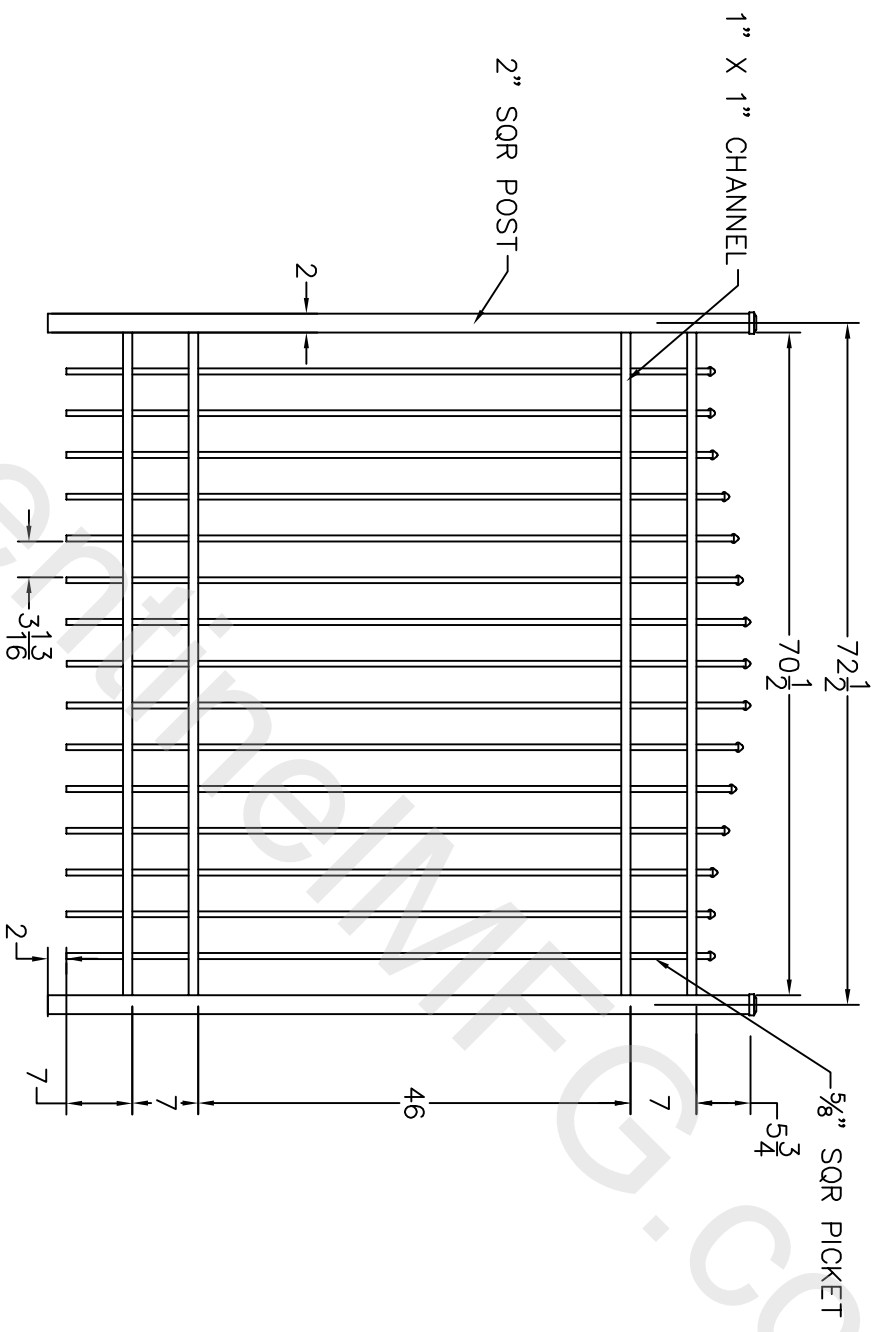
NOTES:

1. ALL DIMENSIONS IN INCHES.
 2. INSTALL POSTS PER STANDARD CONSTRUCTION PRACTICES
- **NOTE: FINAL PICKET CUT SIZES ARE THE SAME AS PRESSED POINT

SENTINEL MFG.
 1527 NC HWY 711
 LUMBERTON, NC 28360
 (910) 735-1351

DRAWING:
 CASTLE - 72" HT

| | | |
|-------|----------|--------|
| SIZE | DWG NO. | REV |
| D | CS-72 | NC |
| SCALE | DATE | SHEET |
| | 06-06-05 | 1 OF 1 |



© 2004. This drawing may not be altered or reproduced without the permission of SENTINEL MFG.