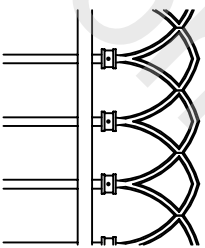
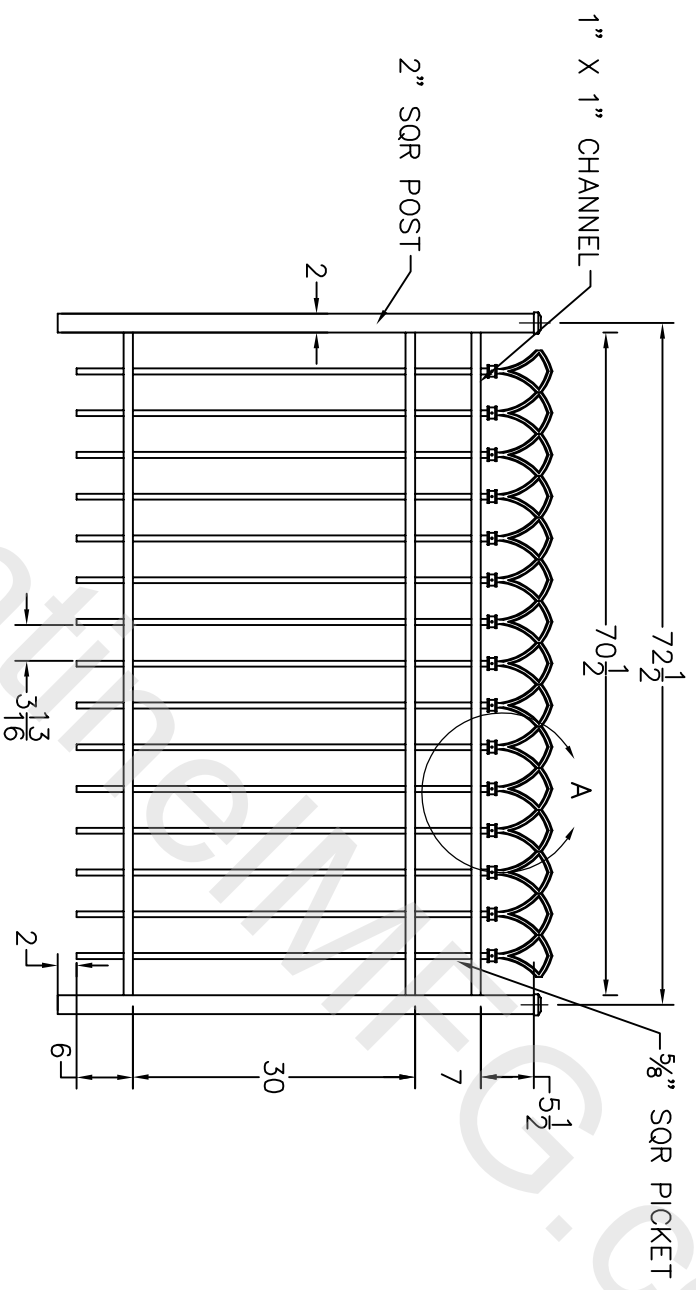


DATE	02/27/12
REVISION	
NO.	01
DESCRIPTION	REVISION CO. NAME
INITIAL RELEASE	
NC	
ZONE	



VIEW A



- NOTES:
1. ALL DIMENSIONS IN INCHES.
  2. INSTALL POSTS PER STANDARD CONSTRUCTION PRACTICES

SENTINEL MFG.  
 1527 NC HWY 711  
 LUMBERTON, NC 28360  
 (910) 735-1351

DRAWING:  
 CATHEDRAL - 48" HT

SIZE	DWG NO.	REV
D	APFP-48	NC
SCALE	DATE	SHEET
	06-06-05	1 OF 1

© 2004. This drawing may not be altered or reproduced without the permission of SENTINEL MFG.