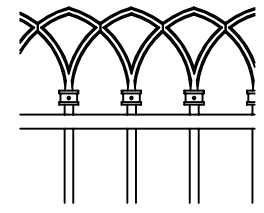


ZONE		REV	DESCRIPTION	DATE	APPROVED
-	NC		INITIAL RELEASE		
-	01		REVISE CO. NAME	01/14/12	



VIEW A

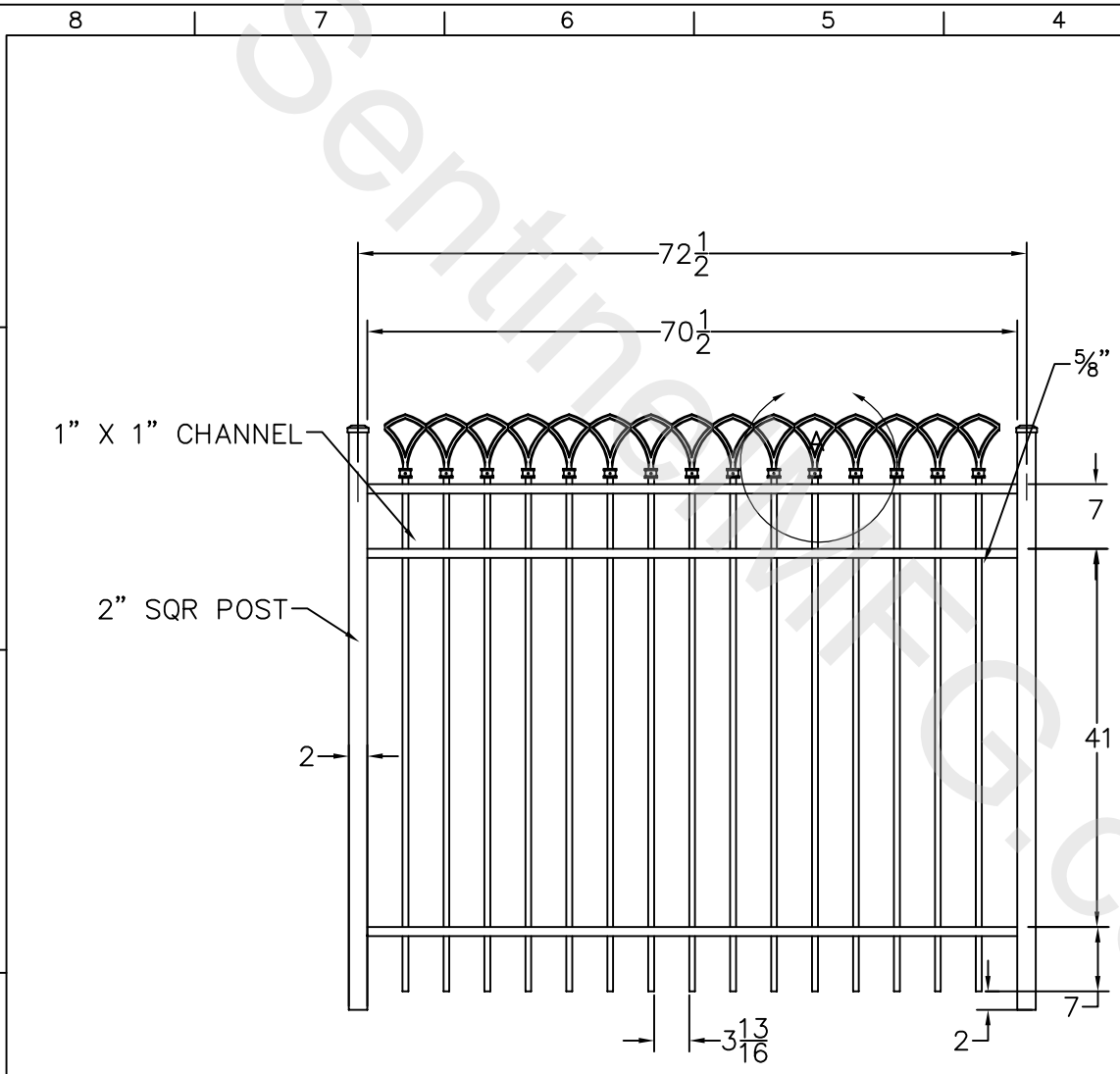
NOTES:

1. ALL DIMENSIONS IN INCHES.
2. INSTALL POSTS PER STANDARD CONSTRUCTION PRACTICES

SENTINEL MFG.
 1527 NC HWY 711
 LUMBERTON, NC 28360
 (910) 735-1351

DRAWING:
 CATHEDRAL - 60" HT

SIZE D	DWG NO. APFP-60	REV NC
SCALE	DATE 06-06-05	SHEET 1 OF 1



© 2004. This drawing may not be altered or reproduced without the permission of SENTINEL MFG.