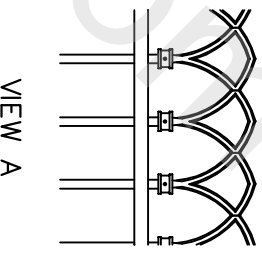
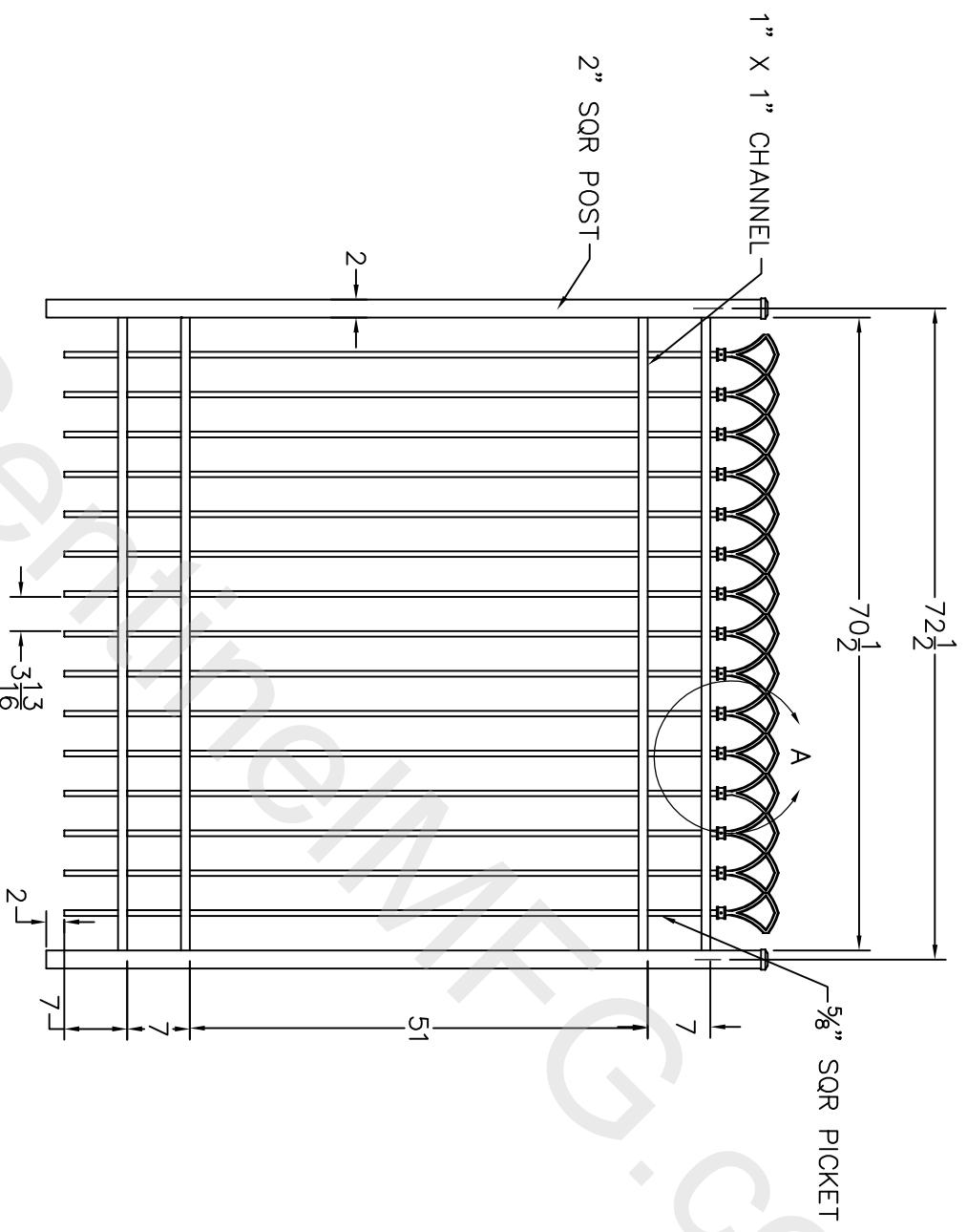


DATE	01/14/12	APPROVED	
REVISION		DATE	
01	REVISION CO. NAME		
NC	INITIAL RELEASE		
01			



VIEW A



- NOTES:
1. ALL DIMENSIONS IN INCHES.
 2. INSTALL POSTS PER STANDARD CONSTRUCTION PRACTICES

SENTINEL MFG.
 1527 NC HWY 711
 LUMBERTON, NC 28360
 (910) 735-1351

CATHEDRAL - 72" HT

SIZE	DWG NO.	REV
D	APFP-72	NC
SCALE	DATE	SHEET
	01-18-12	1 OF 1

© 2004. This drawing may not be altered or reproduced without the permission of SENTINEL MFG.