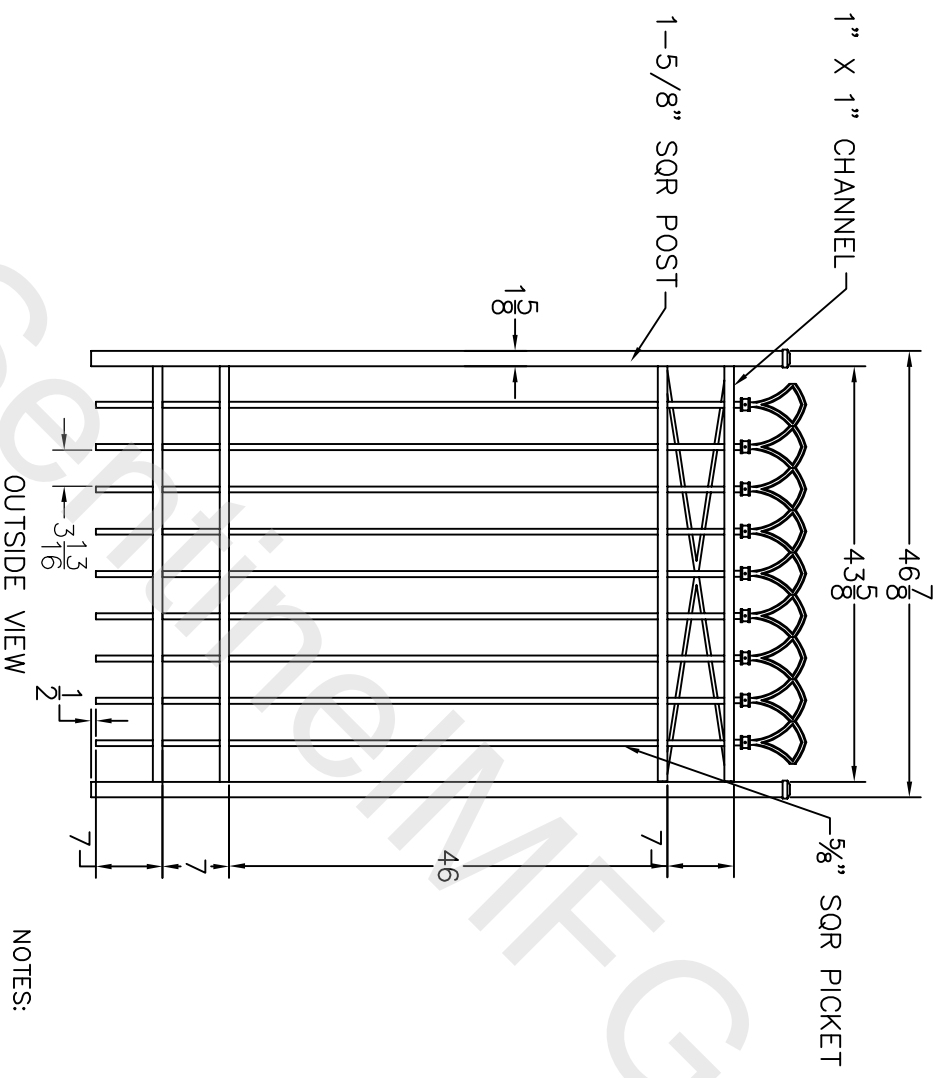


DATE	REV	DESCRIPTION	DATE	APPROVED
03/12/12	01	CREATE FROM APPALACHIAN 72X48 GATE		
		INITIAL RELEASE		
		NC		



OUTSIDE VIEW

- NOTES:
1. ALL DIMENSIONS IN INCHES.
 2. INSTALL POSTS PER STANDARD CONSTRUCTION PRACTICES

SENTINEL MFG.
 1527 NC HWY 711
 LUMBERTON, NC 28360
 (910) 735-1351

DRAWING:
 CATHEDRAL GATE-
 72"HT X 48" WD

SIZE	DWG NO	DATE	SHEET	REV
D	APFP-72HX48W	02-01-12	1 OF 1	NC

© 2004. This drawing may not be altered or reproduced without the permission of SENTINEL MFG.