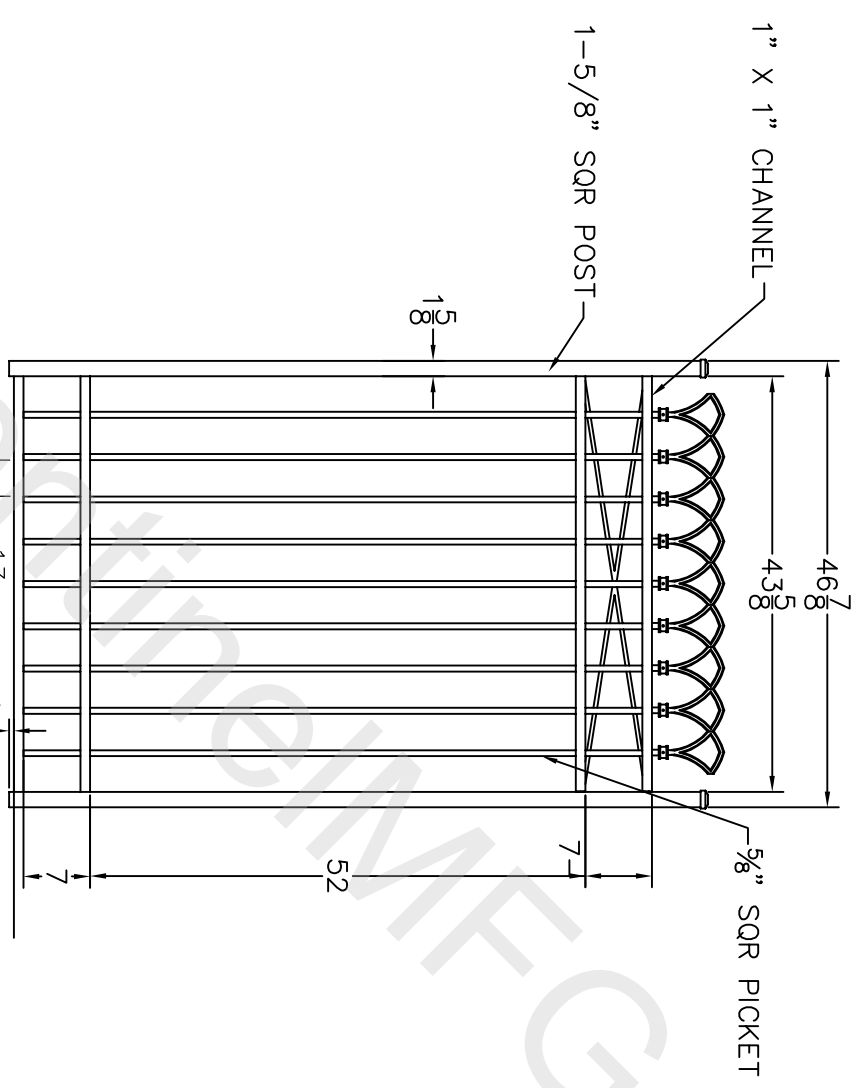


| DATE | REV | DESCRIPTION | DATE | APPROVED |
|------|-----|----------------------------------|----------|----------|
| - | NC | INITIAL RELEASE | | |
| - | OT | CREATE FROM CATHEDRAL 72X48 GATE | 03/20/12 | |



- NOTES:
1. ALL DIMENSIONS IN INCHES.
 2. INSTALL POSTS PER STANDARD CONSTRUCTION PRACTICES

SENTINEL MFG.
 1527 NC HWY 711
 LUMBERTON, NC 28360
 (910) 735-1351

DRAWING:
 CATHEDRAL GATE-
 72"HT X 48" WD
 DROP RAIL

| | | | | | |
|-------|---|---------|-----------------|-------|--------|
| SIZE | D | DWG NO. | APFP-72HX48W-DR | REV | NC |
| SCALE | | DATE | 02-01-12 | SHEET | 1 OF 1 |

© 2004. This drawing may not be altered or reproduced without the permission of SENTINEL MFG.