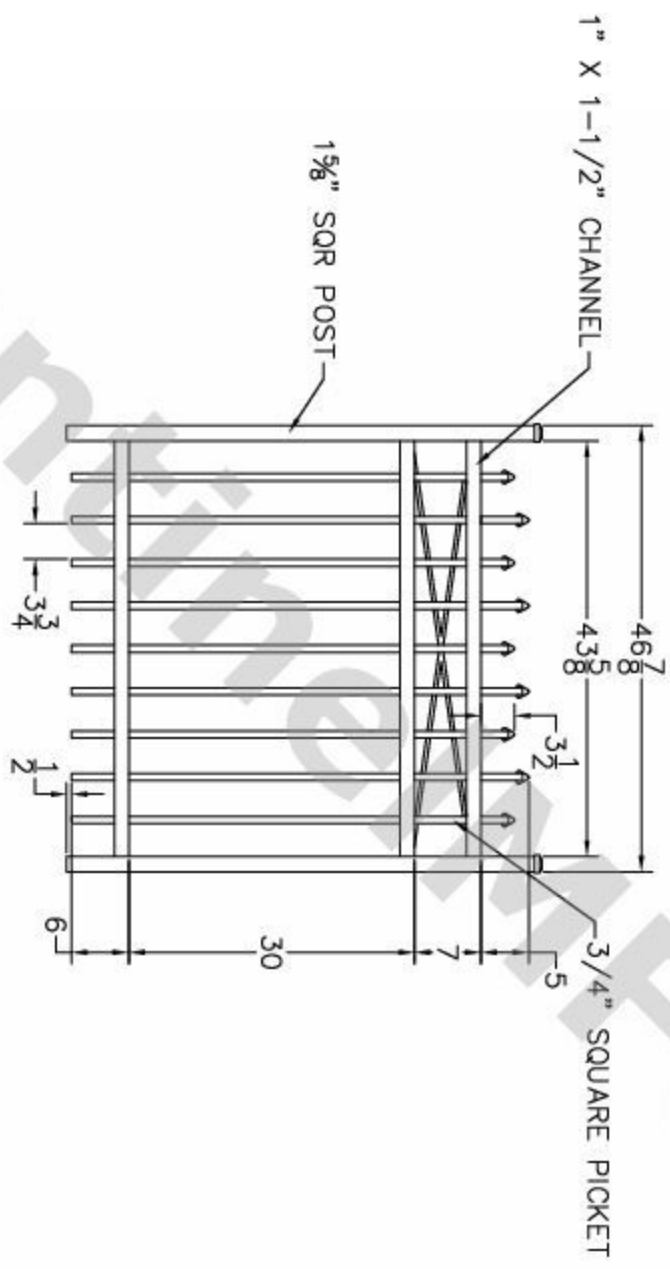


| | | | | |
|-----------------|----|----------------------------|----|------|
| REV | NO | DATE | BY | CHKD |
| - | NC | 08-31-18 | | |
| INITIAL RELEASE | | CREATED FROM MA-48X48 GATE | | |



- NOTES:
1. ALL DIMENSIONS IN INCHES.
 2. INSTALL POSTS PER STANDARD CONSTRUCTION PRACTICES

SENTINEL MFG.
 1527 NC HWY 711
 LUMBERTON, NC 28360
 (910) 735-1351

DRAWING:
 COMMERCIAL GRADE
 MANHATTAN GATE
 48" HT X 48" WD

© 2009. This drawing may not be altered or reproduced without the permission of SENTINEL MFG.

| | | |
|-------|------------|--------|
| SIZE | DWG NO. | REV |
| D | MA-C-48X48 | NC |
| SCALE | DATE | SHEET |
| | 11-26-09 | 1 OF 1 |