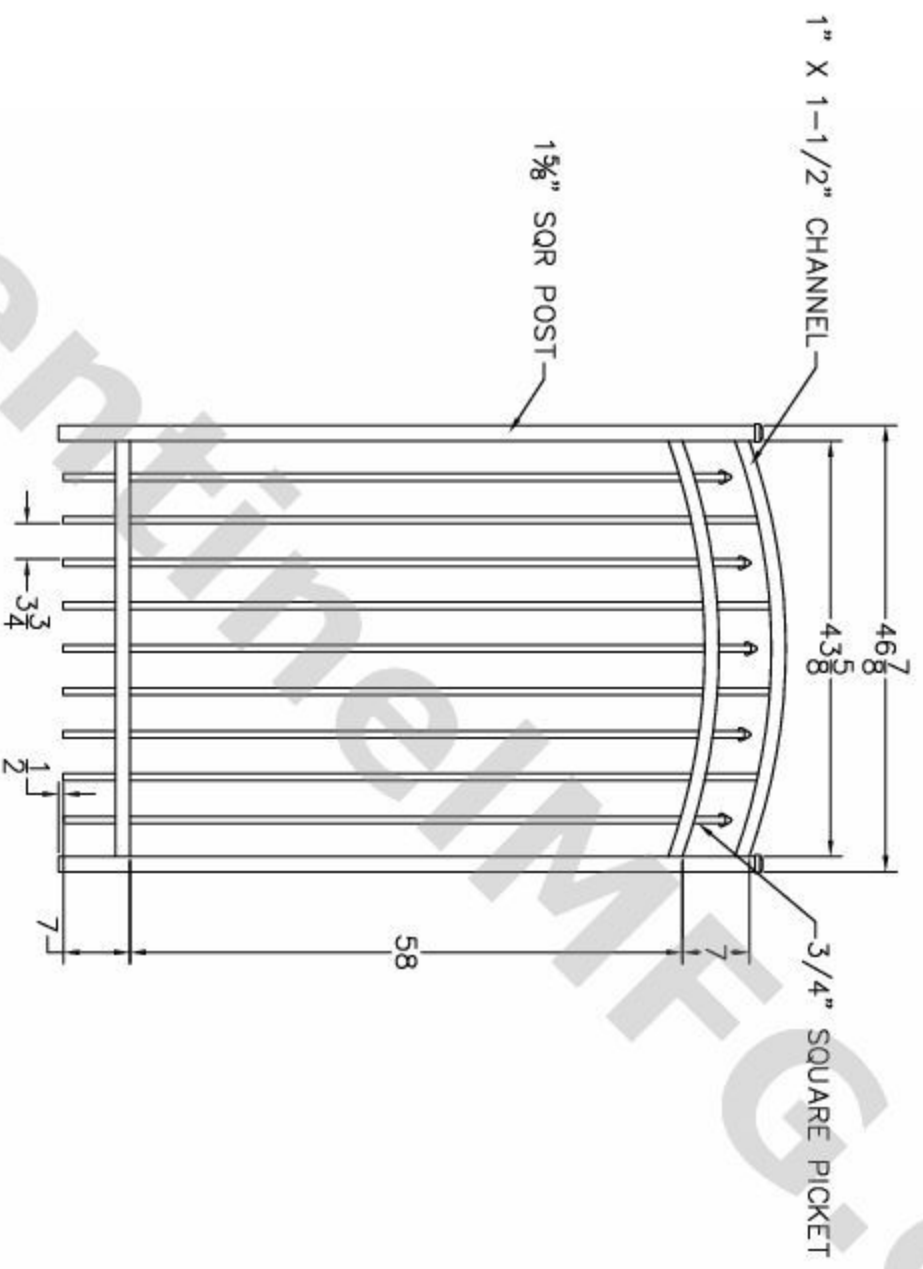


REV	NO	DESCRIPTION	DATE	BY	CHKD
-	NC	INITIAL RELEASE			
-	01	CREATED FROM OU-BOX48-AR-SR GATE	06-07-13		



- NOTES:
1. ALL DIMENSIONS IN INCHES.
  2. INSTALL POSTS PER STANDARD CONSTRUCTION PRACTICES

SENTINEL MFG.  
 1527 NC HWY 711  
 LUMBERTON, NC 28360  
 (910) 735-1351

DRAWING:  
 COMMERCIAL GRADE  
 OUTBACK GATE  
 72" HT X 48" WD - ARCHED

SIZE	DWG NO.	DATE	SHEET
D	OU-C-72X48-AR	11-26-09	1 OF 1

© 2009. This drawing may not be altered or reproduced without the permission of SENTINEL MFG.