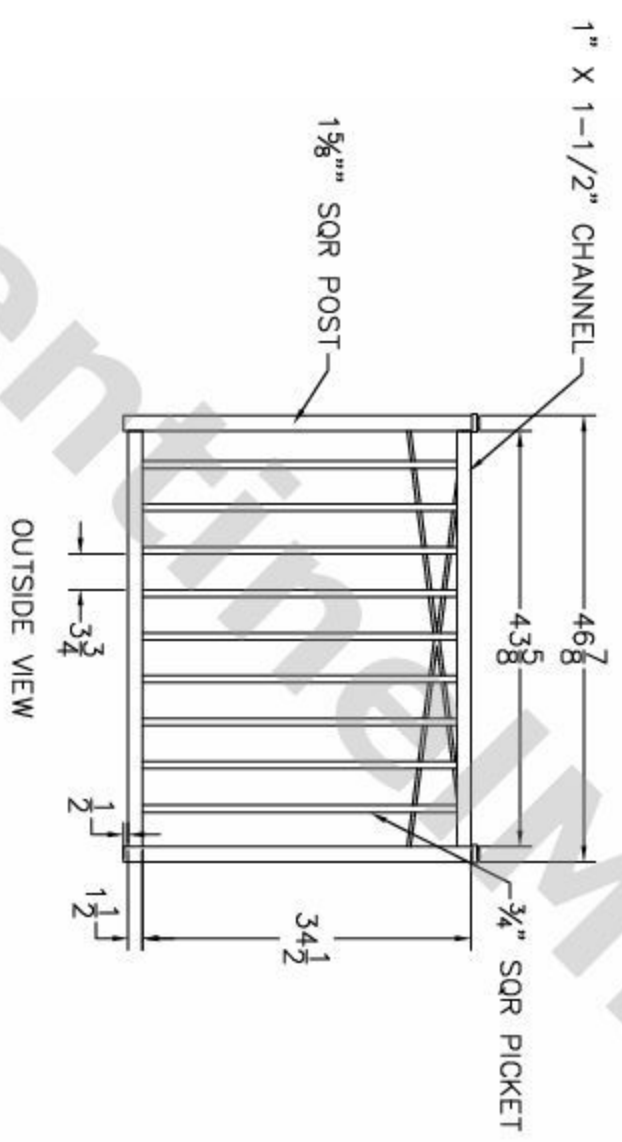


REV	DATE	BY	CHKD
06	07/13		
01	CREATE FROM PHL-C-48WD		
02			
03			
04			
05			



- NOTES:
1. ALL DIMENSIONS IN INCHES.
 2. INSTALL POSTS PER STANDARD CONSTRUCTION PRACTICES

SENTINEL MFG.
 1527 NC HWY 711
 LUMBERTON, NC 28360
 (910) 735-1351

DRAWING:
 COMMERCIAL GRADE
 PHILLY GATE
 36" HT X 48"WD

SIZE	DWG NO.	REV
D	PHL-C-36X48	NC
SCALE	DATE	SHEET
	06-06-05	1 OF 1

© 2004. This drawing may not be altered or reproduced without the permission of SENTINEL MFG.