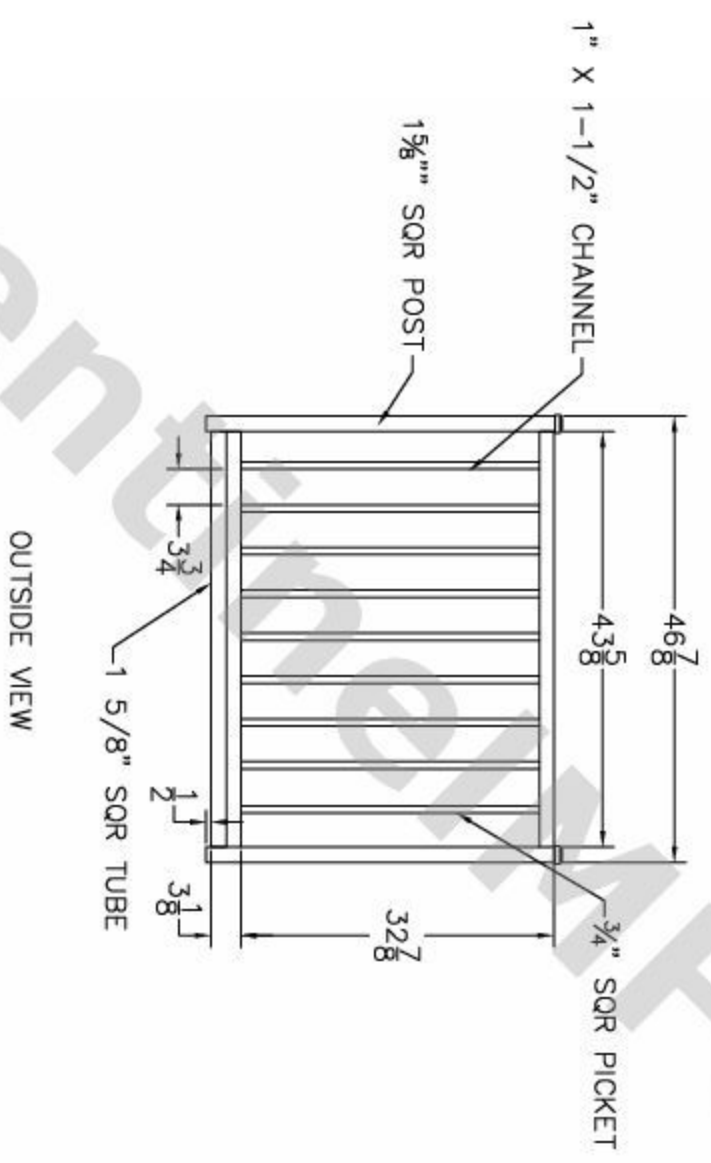


REV	NO	DESCRIPTION	DATE	BY	CHECKED
-	NC	INITIAL RELEASE			
-	01	CREATE FROM PHL-C-36X48-HD	09/07/13		



- NOTES:
1. ALL DIMENSIONS IN INCHES.
 2. INSTALL POSTS PER STANDARD CONSTRUCTION PRACTICES

SENTINEL MFG.
 1527 NC HWY 711
 LUMBERTON, NC 28360
 (910) 735-1351

DRAWING:
 COMMERCIAL GRADE
 PHILLY GATE-36"HT X 48"WD
 HEAVY DUTY

SIZE	DWG NO.	REV
D	PHL-C-36X48-HD	NC

SCALE	DATE	SHEET
	04-06-09	1 OF 1

© 2009, This drawing may not be altered or reproduced without the permission of SENTINEL MFG.