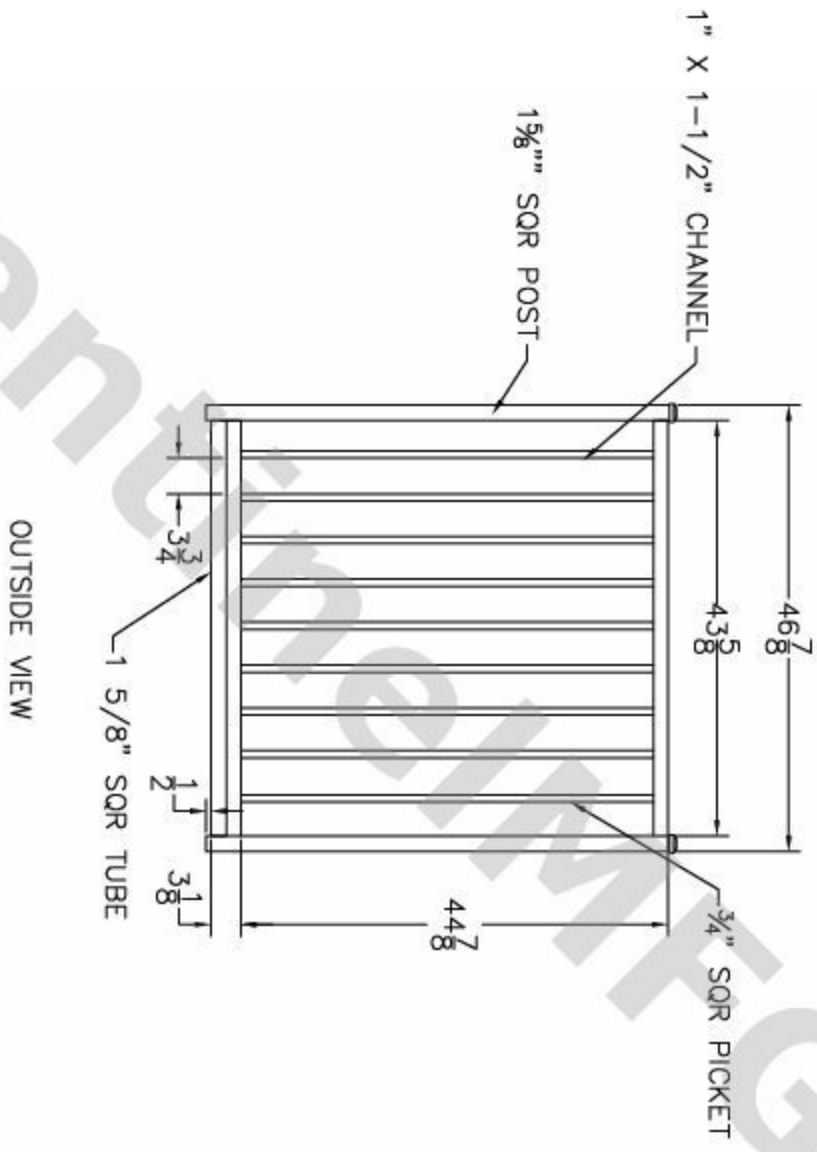


REV	DESCRIPTION	DATE	BY	CHECKED
01	INITIAL RELEASE			
02	REVISED CO. NAME, DRAWING NAME & NUMBER	05/29/13		



OUTSIDE VIEW

- NOTES:
1. ALL DIMENSIONS IN INCHES.
  2. INSTALL POSTS PER STANDARD CONSTRUCTION PRACTICES

SENTINEL MFG.  
 1527 NC HWY 711  
 LUMBERTON, NC 28360  
 (910) 735-1351

DRAWING:  
 COMMERCIAL GRADE  
 PHILLY GATE  
 48"HT X 48"WD HEAVY DUTY

SIZE	DWG NO.	DATE	SHEET	REV
D	PHL-C-48X48-HD	04-06-09	1 OF 1	NC

© 2009. This drawing may not be altered or reproduced without the permission of SENTINEL MFG.