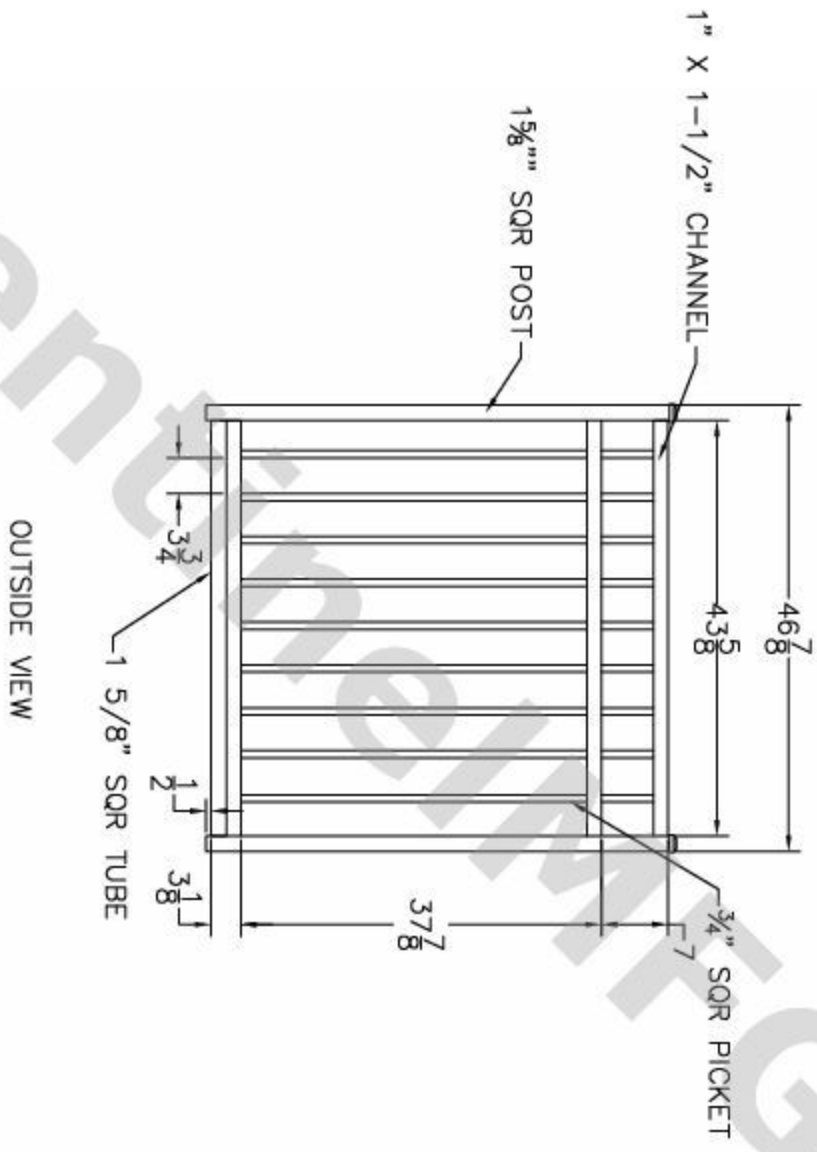


REV	NO	DESCRIPTION	DATE	BY	CHECKED
-	NC	INITIAL RELEASE			
01		ORIGIN FROM SI-C-48X48-SHD	05/25/13		



OUTSIDE VIEW

- NOTES:
1. ALL DIMENSIONS IN INCHES.
 2. INSTALL POSTS PER STANDARD CONSTRUCTION PRACTICES

SENTINEL MFG.
 1527 NC HWY 711
 LUMBERTON, NC 28360
 (910) 735-1351

DRAWING:
 COMMERCIAL GRADE
 SIERRA GATE -
 48"HT X 48"WD - HEAVY DUTY

SIZE	D	DWG NO.	SI-C-48X48-HD	REV	NC
SCALE		DATE	04-06-09	SHEET	1 OF 1

© 2009. This drawing may not be altered or reproduced without the permission of SENTINEL MFG.