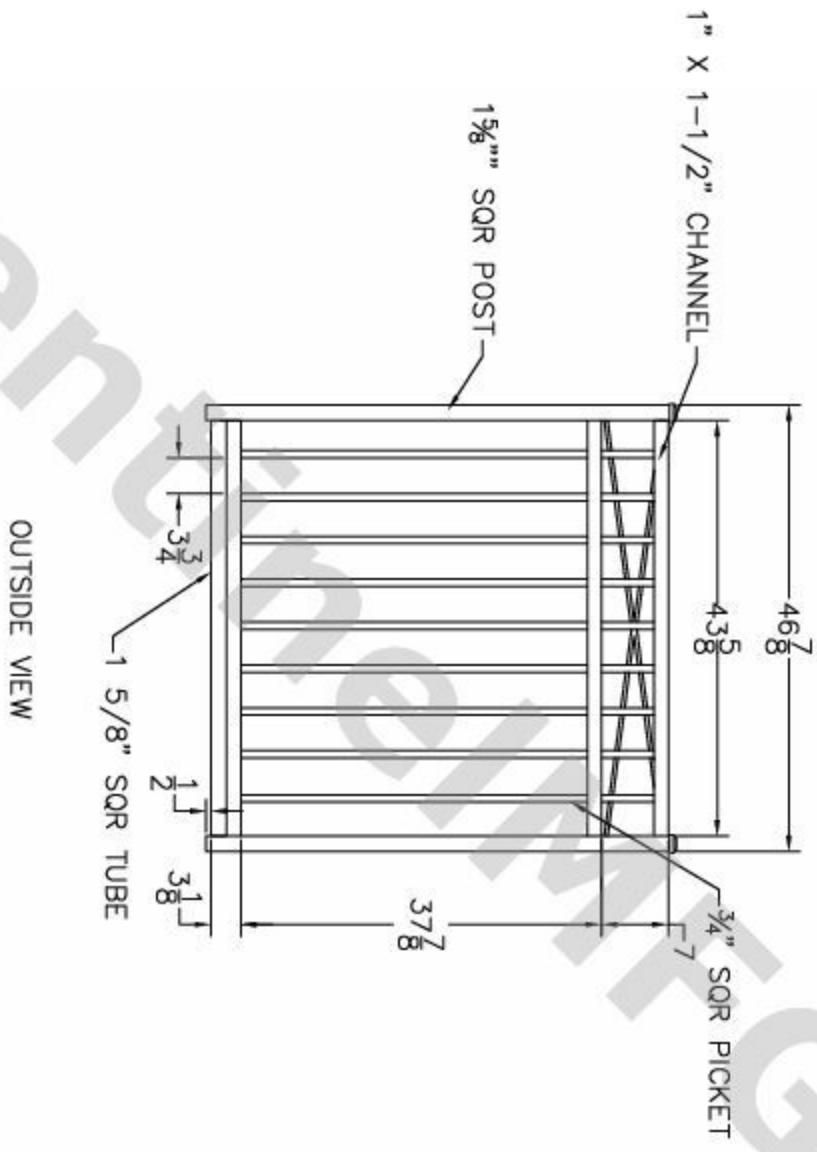


REV	DATE	DESCRIPTION	BY	CHECKED
01	05/21/12	CREATE FROM PHL-C-48X48-SHD		
02		INITIAL RELEASE		
03		CHANGE FROM PHL-C-48X48-SHD		



OUTSIDE VIEW

- NOTES:
1. ALL DIMENSIONS IN INCHES.
  2. INSTALL POSTS PER STANDARD CONSTRUCTION PRACTICES

SENTINEL MFG.  
 1527 NC HWY 711  
 LUMBERTON, NC 28360  
 (910) 735-1351

DRAWING:  
 COMMERCIAL GRADE -  
 SIERRA GATE-48"HT X 48"WD  
 SUPER HEAVY DUTY

SIZE	DWG NO.	REV
D	SI-C-48X48-SHD	NC
SCALE	DATE	SHEET
	04-06-09	1 OF 1

© 2009. This drawing may not be altered or reproduced without the permission of SENTINEL MFG.