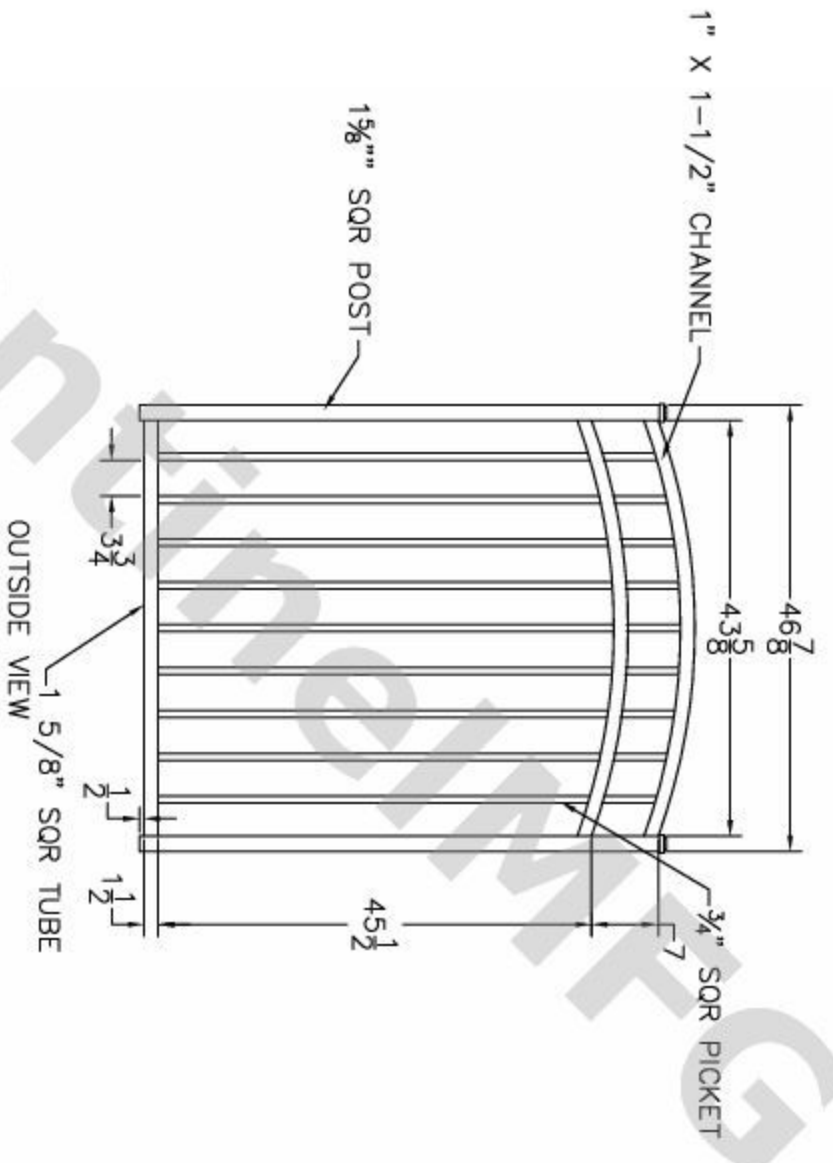


REV	NO	DESCRIPTION	DATE	BY	CHECKED
-	NC	INITIAL RELEASE			
01		CHANGE FROM SI-C-54X48-AR-10	09/07/13		



- NOTES:
1. ALL DIMENSIONS IN INCHES.
 2. INSTALL POSTS PER STANDARD CONSTRUCTION PRACTICES

SENTINEL MFG.
 1527 NC HWY 711
 LUMBERTON, NC 28360
 (910) 735-1351

DRAWING:
 COMMERCIAL GRADE
 SIERRA GATE
 54" HT X 48" WD - ARCHED

SIZE	DWG NO	DATE	SHEET	REV
D	SI-C-54X48-AR	04-06-09	1 OF 1	NC

© 2009. This drawing may not be altered or reproduced without the permission of SENTINEL MFG.