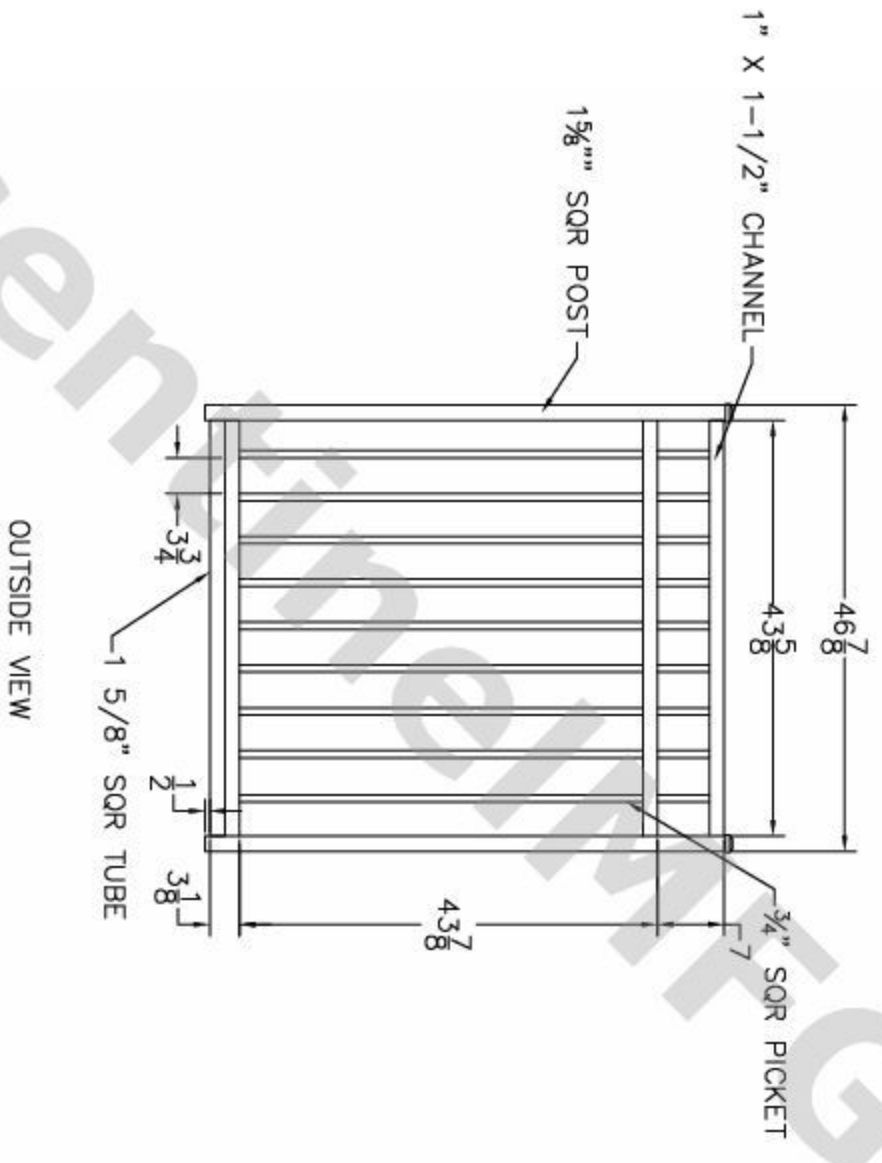


REV	NO	DESCRIPTION	DATE	BY	CHKD
-	NC	INITIAL RELEASE			
01		ORIGIN FROM SI-C-4848-HD	04-06-13		



OUTSIDE VIEW

- NOTES:
1. ALL DIMENSIONS IN INCHES.
  2. INSTALL POSTS PER STANDARD CONSTRUCTION PRACTICES

SENTINEL MFG.  
 1527 NC HWY 711  
 LUMBERTON, NC 28360  
 (910) 735-1351

DRAWING:  
 COMMERCIAL GRADE  
 SIERRA GATE -  
 54" HT X 48" WD - HEAVY DUTY

SIZE	D	DWG NO.	SI-C-54X48-HD	REV	NC
SCALE		DATE	04-06-09	SHEET	1 OF 1

© 2009. This drawing may not be altered or reproduced without the permission of SENTINEL MFG.