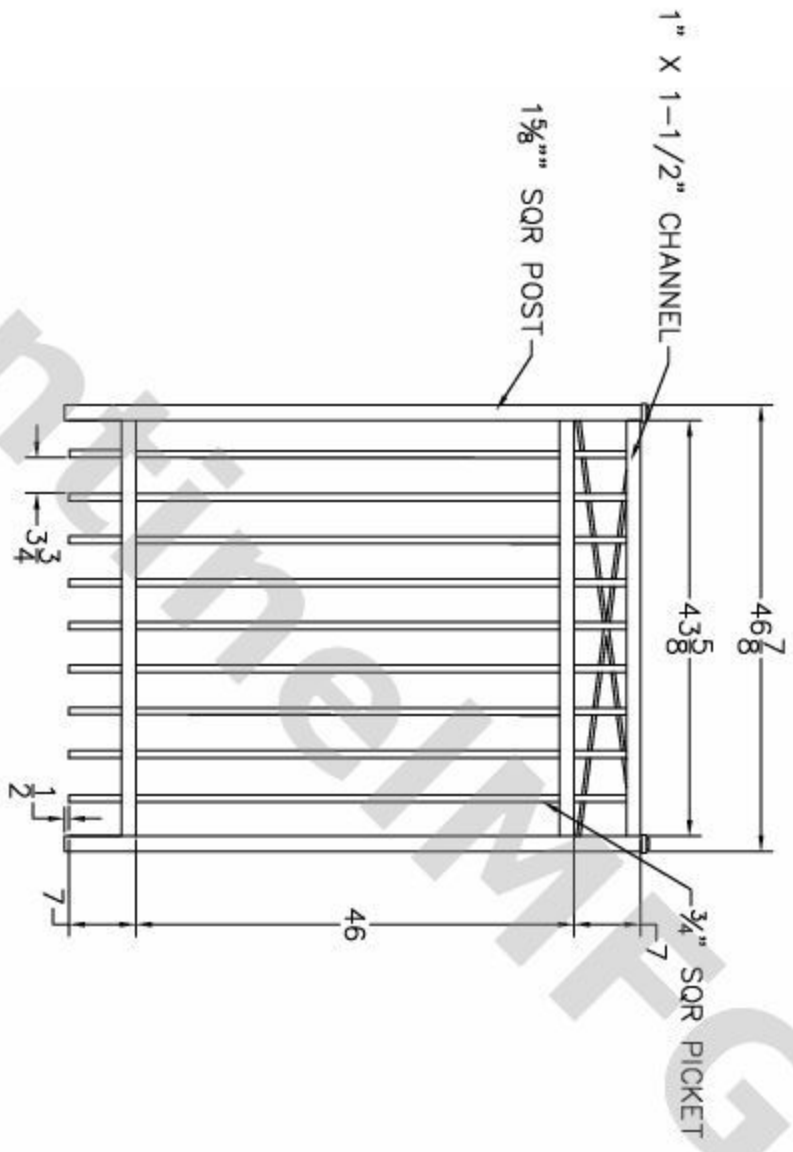


REV	NO	DATE	BY	CHKD
-	NC			
01	INITIAL RELEASE			
	ORIGINATE FROM SI-C-60X48			
		08/09/13		



OUTSIDE VIEW

- NOTES:
1. ALL DIMENSIONS IN INCHES.
 2. INSTALL POSTS PER STANDARD CONSTRUCTION PRACTICES

SENTINEL MFG.
 1527 NC HWY 711
 LUMBERTON, NC 28360
 (910) 735-1351

DRAWING:
 COMMERCIAL GRADE
 SIERRA GATE
 60" HT X 48" WD

SIZE	DWG NO.	REV
D	SI-C-60X48	NC
SCALE	DATE	SHEET
	04-06-09	1 OF 1

© 2009. This drawing may not be altered or reproduced without the permission of SENTINEL MFG.