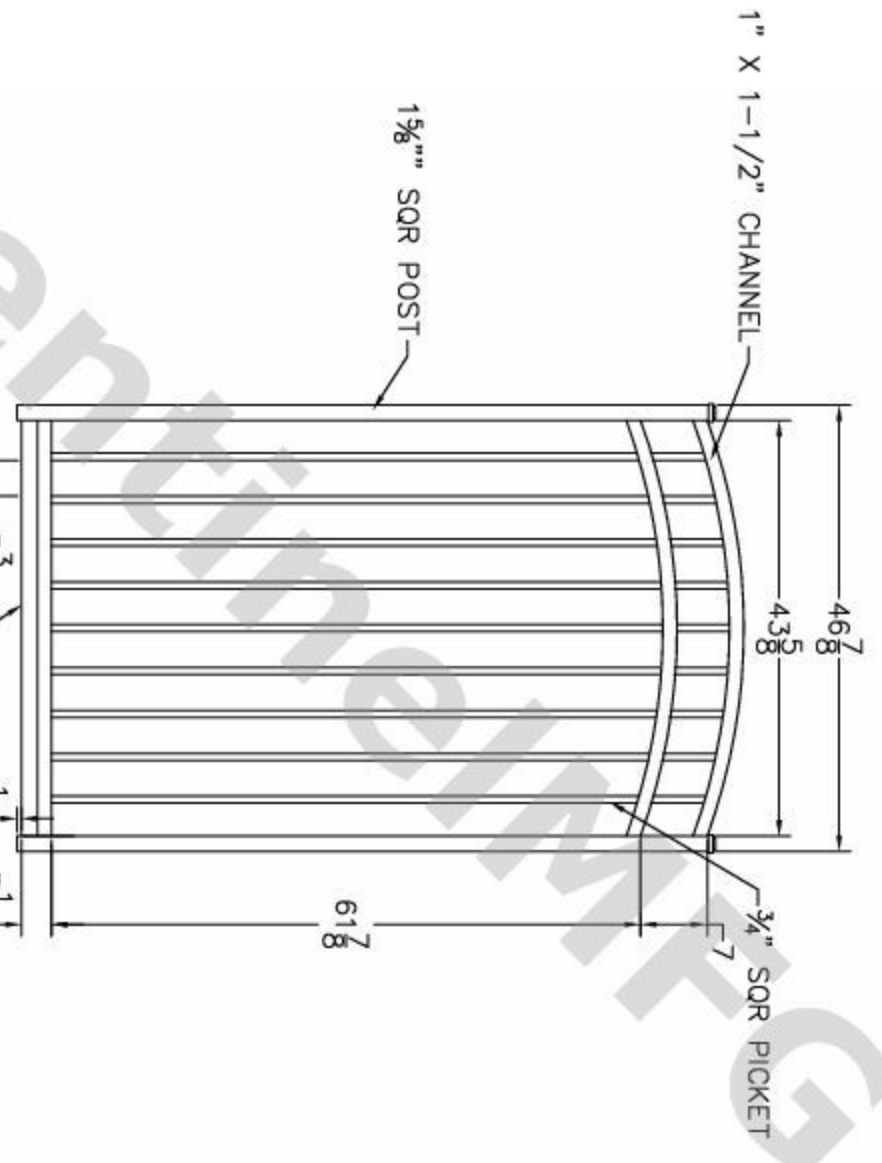


REV	DESCRIPTION	DATE	BY	CHKD
01	NC INITIAL RELEASE	09/09/13		
01	CHANGE FROM SI-C-72X48-AR			



- NOTES:
1. ALL DIMENSIONS IN INCHES.
  2. INSTALL POSTS PER STANDARD CONSTRUCTION PRACTICES

SENTINEL MFG.  
 1527 NC HWY 711  
 LUMBERTON, NC 28360  
 (910) 735-1351

DRAWING:  
 COMMERCIAL GRADE  
 SIERRA GATE-72" HT X 48" WD  
 ARCHED - HEAVY DUTY

SIZE	DWG NO.	REV
D	SI-C-72X48-AR-HD	NC
SCALE	DATE	SHEET
	04-06-09	1 OF 1

© 2009. This drawing may not be altered or reproduced without the permission of SENTINEL MFG.